

REFRIGERATOR MANUFACTURER
Turbo air
 more durable, efficient, beautiful

4184 E. Conant St.
 Long Beach, CA 90808
 Tel. 310-900-1000
 Fax. 310-900-1077
www.turboairinc.com

Project :	
Model # :	
Item # :	Qty :
Available W/H :	
Approval :	

Curved Glass Bakery Cases

Display Cases
 Bakery Cases - Dry Cases

Model : TCGB-72DR-W(B)



* White and black color come standard
 * Image shown here TCGB-72DR-W(B)-N (refrigerated)

≡ FEATURES & BENEFITS ≡

- **Attractive, elegant, glass sided Euro design**
 Curved tempered front glass and minimal frame provide full product visibility to optimize display effects. Its elegant contemporary euro design will not only enhance any store atmosphere but also will keep product presentation at its best and most beautiful.
- **High-density polyurethane insulation**
 The entire cabinet structure is foamed-in-place using high density, CFC free polyurethane insulation.
- **Low-E coated double pane glass is tempered for safety**
- **Heavy duty, white PE coated wire shelves**
- **Cantilever wired shelves adjustable up and down, tilted**
- **LED interior lighting**
- **Stainless steel floor and airflow grille**
- **Sliding rear doors for product loading & unloading**



Model	CU./FT.	# of Shelves	HP	AMPS	Crated Weight (lbs.)	L x D x H (inches)
TCGB-72DR-W(B)	23.2	2	-	0.7	678	72 1/2 x 34 1/4 x 50 1/8

Curved Glass Bakery Cases

Display Cases
Bakery Cases - Dry Cases

Model : TCGB-72DR-W(B)

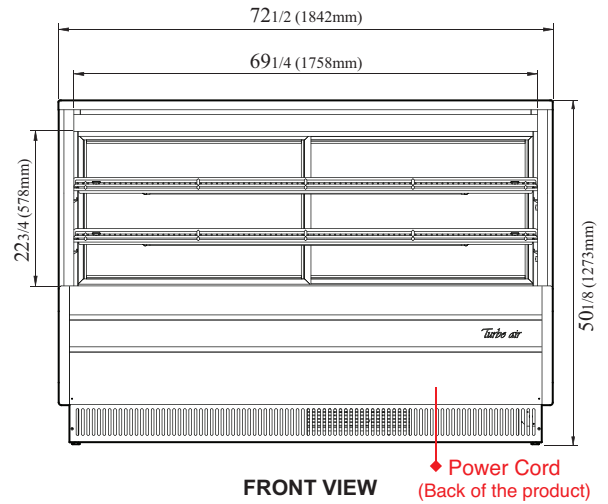
ELECTRICAL DATA	
Voltage	115/60/1
Plug Type	Ⓢ NEMA 5-15P
Full Load Amperes	0.7
Compressor HP	-
Refrigerant	N/A
DIMENSIONAL DATA	
Net Capacity (cu. ft.)	23.2
Ext. Length Overall (in.)	72 1/2 (1842mm)
Ext. Depth Overall (in.)	34 1/4 (870mm)
Ext. Height Overall (in.)	50 1/8 (1273mm)
Int. Length Overall (in.)	69 1/4 (1758mm)
Int. Depth Overall (in.)	27 3/4 (705mm)
Int. Height Overall (in.)	22 3/4 (578mm)
Shelf Size (in.)	68 1/4 x 15 3/4
	68 1/4 x 17 3/4
Net Weight (lbs.)	639
Gross Weight (lbs.)	678
# of Shelves	2
Power Cord Length (in.)	59 1/8

Design and specifications subject to change without notice.
Actual shipping weight may differ due to extra packing materials for product protection.

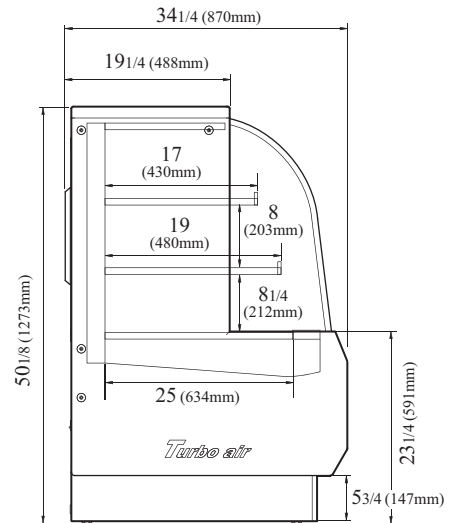
■ WARRANTY : 2 Years Parts and Labor Warranty

PLAN VIEW

(unit : inch)



FRONT VIEW



SIDE VIEW

Ver.20190606



- Turbo Air : 800-627-0032
- GK : 800-500-3519
- Warranty : 800-381-7770
- AC : 888-900-1002

REFRIGERATOR MANUFACTURER
Turbo air

GERMAN
KNIFE

RADIANCE

HYDRATION SYSTEM
Turbo air

TEXAKING