

# Cuisine Series Heavy Duty Griddle Top Range

Project \_\_\_\_\_  
Item \_\_\_\_\_  
Quantity \_\_\_\_\_  
CSI Section 11400  
Approved \_\_\_\_\_  
Date \_\_\_\_\_

## Models

- C836-48                      • C0836-48                      • C0836-48M
- C836-48-1                      • C0836-48-1                      • C0836-48-1M



Model C836-48-1  
Range with 48" Griddle Valve or  
Thermostat Controlled  
Shown with Optional Casters

## Standard Features

- Griddle top with 1" (25mm) thick steel plate.
- Full-range valve control (-48)
- Griddle control, with embedded thermostat sensor bulb Low to 500F (260C) (-48-1)
- Stainless front and sides
- Stainless steel front rail w/ position adjustable bar
- 1 1/4" NPT front gas manifold
- Can be connected individually or in a battery
- 6" (152mm) high stainless steel stub back
- 6"(152mm) chrome steel adj. legs
- Stainless steel oven interior w/ removable porcelain bottom
- 40,000 BTU oven burner
- Chrome plated rack with four positions, 1 per oven
- Fully insulated oven interior
- 100% safety oven pilot
- Oven thermostat control - 150°-500°F (66°-260°C)

## Options & Accessories

- Grooved griddle - (12"W sections)
- Range base convection oven (add RC)
- Porcelain oven interior in lieu of stainless steel interior
- Single or double deck high shelf or back riser
- Modular unit with legs and shelf (suffix M)
- Modular unit w/o legs on Refrig. Base (change suffix M to PC)
- Stainless steel intermediate shelf for cabinet base
- Stainless steel door(s) for cabinet base units
- Stainless steel back
- Continuous plate shelf, 48-72" for battery installations
- Gas shut-off valves - 3/4", 1", 1 1/4" NPT (Specify)
- Gas regulator: 3/4"- 1 1/4" NPT (Specify)
- Gas flex hose w/ quick disconnect 3/4", 1", 1 1/4" (Specify)
- Stainless steel legs (set of four)
- Flanged feet set of four
- Set of (4) polyurethane non-marking swivel casters w/front brakes.
- Extra oven rack
- Rear Gas Connection:, 3/4" NPT (max 250,000 BTU's)
- Stainless steel burner box top interior

## Specifications

U.S. Range Cuisine 48" (1829mm) wide Heavy Duty Range Series. Model \_\_\_\_\_ with total BTU/hr rating of \_\_\_\_\_ when used with natural/propane gas. Stainless steel front and sides. 6" (152mm) legs with adjustable feet.

**Ovens** - One piece oven door. Stainless steel oven interior with a heavy-duty, "keep-cool" door handle. Standard oven comes with a thermostat with a temperature range from 150° (low) to 500°F (66°-260°C). One chrome plated oven rack for standard ovens and three for convection ovens.

**Griddle Tops** - 1" (25mm) thick steel plate griddle with 3" (76mm) wide grease trough. Burners rated 30,000 BTU/hr each. One burner per 12" (305mm) section.

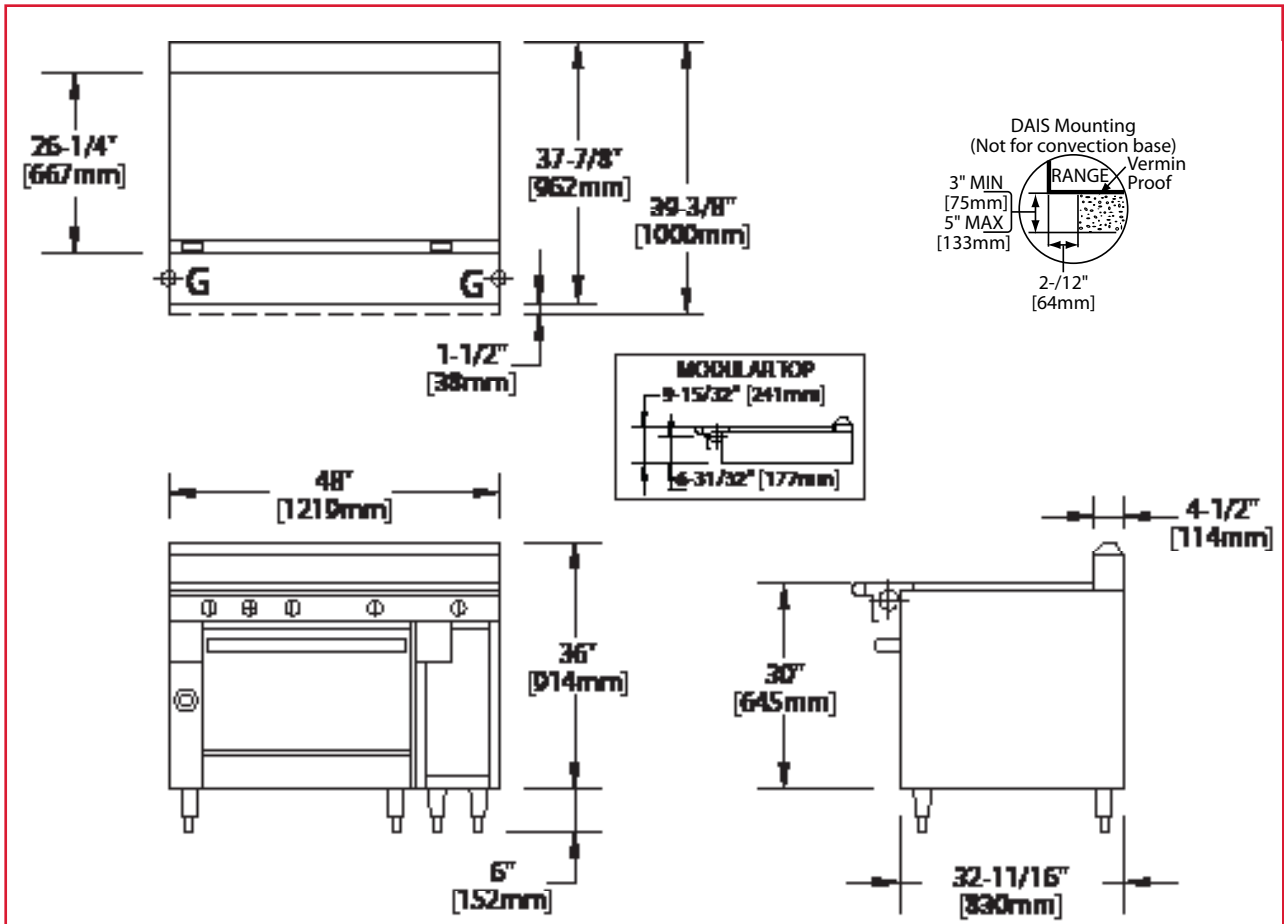
Note: Range-based convection oven models can be located in the middle of a battery, banked back-to-back with other equipment, and can be positioned against a wall

NOTE: Ranges supplied with casters must be installed with an approved restraining device.



# Cuisine Series Heavy Duty Griddle Top Range

# Cuisine Series Heavy Duty Griddle Top Range



| Model #     | Description  | Total BTU (NAT. Gas) | Shipping |          |
|-------------|--|----------------------|----------|----------|
|             |  |                      | Cu Ft    | Lb/Kg    |
| C836-48*    | 48" Manual Valve Control Griddle - w/Std. Oven & 12" Cabinet | 160,000              | 55       | 1140/520 |
| C0836-48    | 48" Manual Valve Control Griddle- w/ 12" & 36" Cabinets      | 120,000              | 55       | 940/426  |
| C0836-48M   | 48" Manual Valve Control Griddle - Modular Top               | 120,000              | 25       | 640/272  |
| C836-48-1*  | 48" Thermostat Control Griddle - w/Std. Oven & 12" Cabinet   | 160,000              | 55       | 1140/520 |
| C0836-48-1  | 48" Thermostat Control Griddle- w/ 12" & 36" Cabinet         | 120,000              | 55       | 940/426  |
| C0836-48-1M | 48" Thermostat Control Griddle - Modular Top                 | 120,000              | 25       | 640/272  |

\* Add Suffix "RC" for Convection Oven Base 1/3 Hp 120V 60Hz 0.6 Amps c/w Nema 5-15P cord & plug

| Individual Burner Ratings (BTU/hr) |        |        |
|------------------------------------|--------|--------|
| Burner                             | NAT.   | PRO.   |
| Griddle                            | 30,000 |        |
| Std. Oven                          | 40,000 | 35,000 |
| Conv. Oven                         | 37,000 | 35,000 |

| Combustible Wall Clearance |            |
|----------------------------|------------|
| Sides                      | Back       |
| 6" (152mm)                 | 6" (152mm) |

| Interior Dimensions: In (mm) |              |                          |          |
|------------------------------|--------------|--------------------------|----------|
| Product                      | Height       | Width                    | Depth    |
| Standard Oven                | 13-1/2(323)  | 26-1/4 (667)             | 29 (737) |
| Convection                   | 13-1/2(323)  | 26-1/4 (667)             | 25 (635) |
| Cabinet Base                 | 20-1/2 (521) | 8-1/4(210) & 32-1/4(819) | 31 (787) |

| Gas Pressure            | NAT.  | PRO.   |
|-------------------------|-------|--------|
| Min. Supply             | 7" WC | 11" WC |
| Operating               | 6" WC | 10" WC |
| Gas Manifold 1-1/4" NPT |       |        |

Welbilt reserves the right to make changes to the design or specifications without prior notice.