



**John
BOOS**
Since 1887

ITEM #: _____ QTY: _____
 MODEL #: _____
 PROJECT NAME: _____

062420

3601 S. Banker St. Effingham, IL 62401 • P.O. BOX 609 • Ph: (888) 431-2667 • Fax: (800) 433-2667

"4CH6R1.5" MODULAR BASE WORK TABLES - 16GA TOP **HINGED DOOR STYLE - 1-1/2" REAR RISER**



FEATURES:

- ENCLOSED BASE WORK TABLES - **HINGED DOOR STYLE**
- **1-1/2" REAR RISER** WITH 1-1/2" STALLION EDGE ON FRONT AND 90 DEGREE BEND DOWN SIDE EDGE FOR TABLE LINE-UP
- TOP IS SOUND DEADENED REINFORCED WITH 2"X3" CHANNEL RUNNING ENTIRE LENGTH OF TOP
- STAINLESS STEEL LEG WITH ADJUSTABLE FEET
- FIXED OR ADJUSTABLE INTERMEDIATE SHELF AVAILABLE
- 36" WORKING HEIGHT
- SHIPPED STANDARD WELDED SET-UP



CONSTRUCTION:

- TOP: STAINLESS STEEL CABINET TOPS TIG WELDED, EXPOSED WELDS ARE POLISHED TO MATCH ADJACENT SURFACE #4 POLISHED, SATIN FINISH
- REMOVABLE STAINLESS STEEL LEGS
- HINGED DOORS ARE CONSTRUCTED AS DOUBLE PANEL DOORS



STALLION EDGE

INTERMEDIATE SHELF IS AVAILABLE IN FIXED OR ADJUSTABLE

- FIXED MID SHELF ADD: "-1S"
- ADJ MID SHELF ADD: "-1AS"

MATERIAL:

- TOP: 16GA TYPE 300 STAINLESS STEEL WITH #4 POLISH, SATIN FINISH
- BODY: 18GA TYPE 430 STAINLESS STEEL
- LEGS: STAINLESS STEEL WITH ADJUSTABLE FEET

24" WIDE

MODEL	QTY
4CH6R1.5-2436	
4CH6R1.5-2448	
4CH6R1.5-2460	
4CH6R1.5-2472	
4CH6R1.5-2484	
4CH6R1.5-2496	
4CH6R1.5-24108	
4CH6R1.5-24120	
4CH6R1.5-24132	
4CH6R1.5-24144	

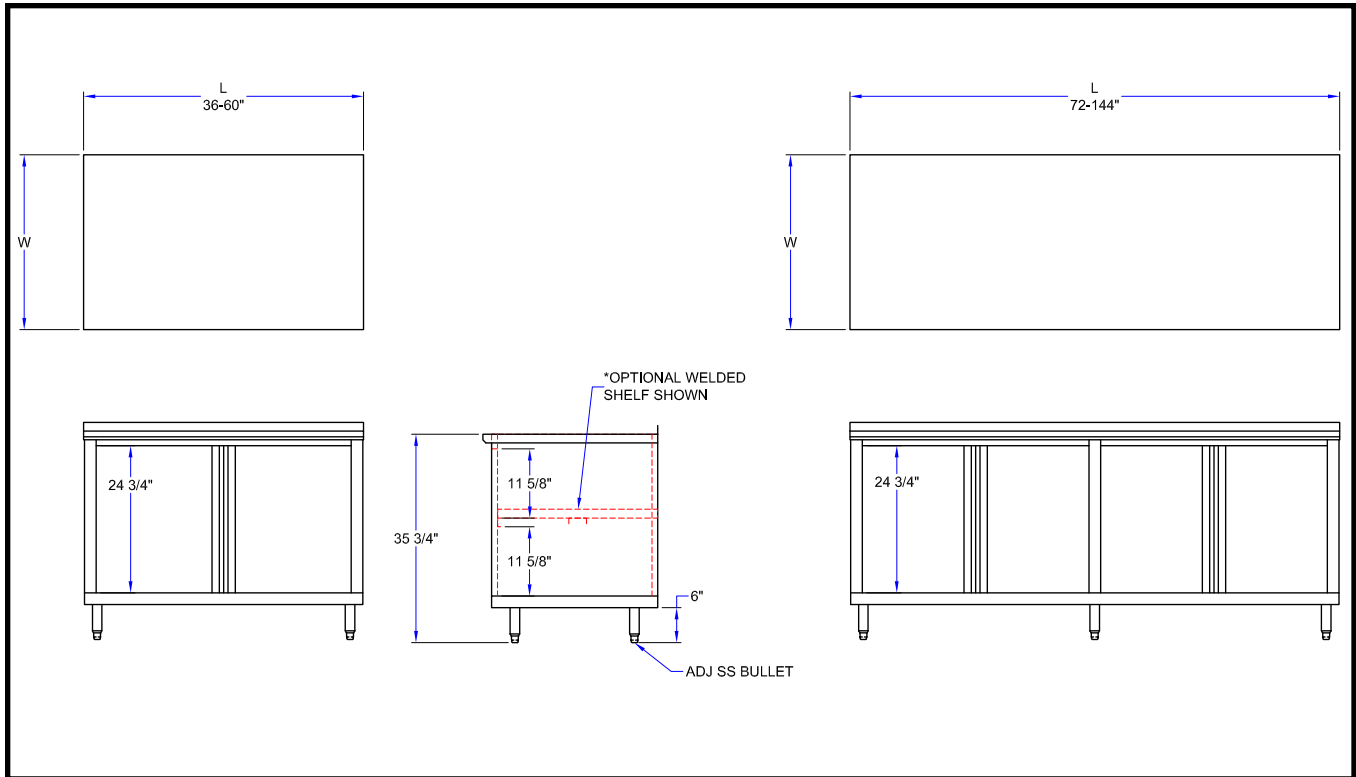
30" WIDE

MODEL	QTY
4CH6R1.5-3036	
4CH6R1.5-3048	
4CH6R1.5-3060	
4CH6R1.5-3072	
4CH6R1.5-3084	
4CH6R1.5-3096	
4CH6R1.5-30108	
4CH6R1.5-30120	
4CH6R1.5-30132	
4CH6R1.5-30144	

36" WIDE

MODEL	QTY
4CH6R1.5-3636	
4CH6R1.5-3648	
4CH6R1.5-3660	
4CH6R1.5-3672	
4CH6R1.5-3684	
4CH6R1.5-3696	
4CH6R1.5-36108	
4CH6R1.5-36120	
4CH6R1.5-36132	
4CH6R1.5-36144	

DETAILED SPECIFICATIONS



24" WIDE

LENGTH	MODEL	WT. (LBS)
36"	4CH6R1.5-2436	121
48"	4CH6R1.5-2448	151
60"	4CH6R1.5-2460	180
72"	4CH6R1.5-2472	215
84"	4CH6R1.5-2484	257
96"	4CH6R1.5-2496	287
108"	4CH6R1.5-24108	316
120"	4CH6R1.5-24120	346
132"	4CH6R1.5-24132	394
144"	4CH6R1.5-24144	424

30" WIDE

LENGTH	MODEL	WT. (LBS)
36"	4CH6R1.5-3036	134
48"	4CH6R1.5-3048	166
60"	4CH6R1.5-3060	198
72"	4CH6R1.5-3072	233
84"	4CH6R1.5-3084	281
96"	4CH6R1.5-3096	313
108"	4CH6R1.5-30108	345
120"	4CH6R1.5-30120	376
132"	4CH6R1.5-30132	429
144"	4CH6R1.5-30144	461

36" WIDE

LENGTH	MODEL	WT. (LBS)
36"	4CH6R1.5-3636	146
48"	4CH6R1.5-3648	180
60"	4CH6R1.5-3660	214
72"	4CH6R1.5-3672	253
84"	4CH6R1.5-3684	305
96"	4CH6R1.5-3696	339
108"	4CH6R1.5-36108	373
120"	4CH6R1.5-36120	407
132"	4CH6R1.5-36132	464
144"	4CH6R1.5-36144	498

MODEL # STRUCTURE

- R = RISER
- 6 = 16 GAUGE
- CH = S.S. CABINET HINGED DOORS
- 4 = 430 STAINLESS STEEL WRAP
- 1.5 = 1-1/2" REAR RISER
- 24 = WIDTH - FRONT TO BACK
- 36 = LENGTH - LEFT TO RIGHT

4CH6R1.5-2436

SOME UNITS SHIP UNASSEMBLED FOR REDUCED SHIPPING COST. ALL DIMENSIONS ARE TYPICAL. TOLERANCE +/- .500"

John Boos & Co. is constantly engaged in a program of improving products and therefore reserves the right to change specifications without prior notice.



3601 S. Banker St. • Effingham, IL 62401 • PO BOX 609 • quotes@johnboos.com

070919



www.johnboos.com

518