



**John
BOOS**
Since 1887

ITEM #: _____ QTY: _____
 MODEL #: _____
 PROJECT NAME: _____

062420

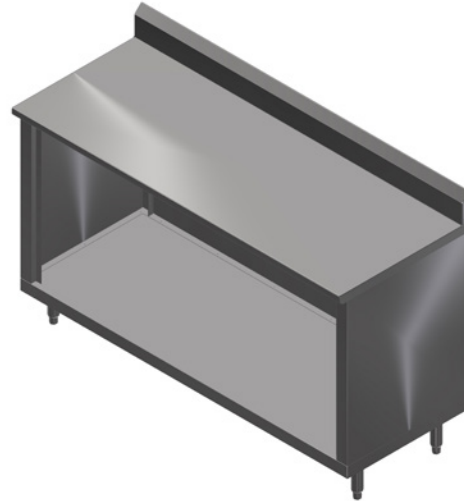
3601 S. Banker St. Effingham, IL 62401 • P.O. BOX 609 • Ph: (888) 431-2667 • Fax: (800) 433-2667

"4CO6R5" MODULAR BASE WORK TABLES - 16GA TOP

OPEN BASE STYLE - 5" BACKSPLASH

FEATURES:

- ENCLOSED BASE WORK TABLES - **OPEN BASE STYLE**
- **5" BACKSPLASH TOP** WITH 1-1/2" STALLION EDGE ON FRONT AND 90 DEGREE BEND DOWN SIDE EDGE FOR TABLE LINE-UP
- TOP IS SOUND DEADENED REINFORCED WITH 2"X3" CHANNEL RUNNING ENTIRE LENGTH OF TOP
- STAINLESS STEEL LEG WITH ADJUSTABLE FEET
- FIXED OR ADJUSTABLE INTERMEDIATE SHELF AVAILABLE
- 36" WORKING HEIGHT
- SHIPPED STANDARD WELDED SET-UP



CONSTRUCTION:

- TOP: STAINLESS STEEL CABINET TOPS TIG WELDED, EXPOSED WELDS ARE POLISHED TO MATCH ADJACENT SURFACE #4 POLISHED, SATIN FINISH
- REMOVABLE STAINLESS STEEL LEGS

MATERIAL:

- TOP: 16GA TYPE 300 STAINLESS STEEL WITH #4 POLISH, SATIN FINISH
- BODY: 18GA TYPE 430 STAINLESS STEEL
- LEGS: STAINLESS STEEL WITH ADJUSTABLE FEET



STALLION EDGE

INTERMEDIATE SHELF IS AVAILABLE IN FIXED OR ADJUSTABLE

- FIXED MID SHELF ADD: "-1S"
- ADJ MID SHELF ADD: "-1AS"

24" WIDE

MODEL	QTY
4CO6R5-2436	
4CO6R5-2448	
4CO6R5-2460	
4CO6R5-2472	
4CO6R5-2484	
4CO6R5-2496	
4CO6R5-24108	
4CO6R5-24120	
4CO6R5-24132	
4CO6R5-24144	

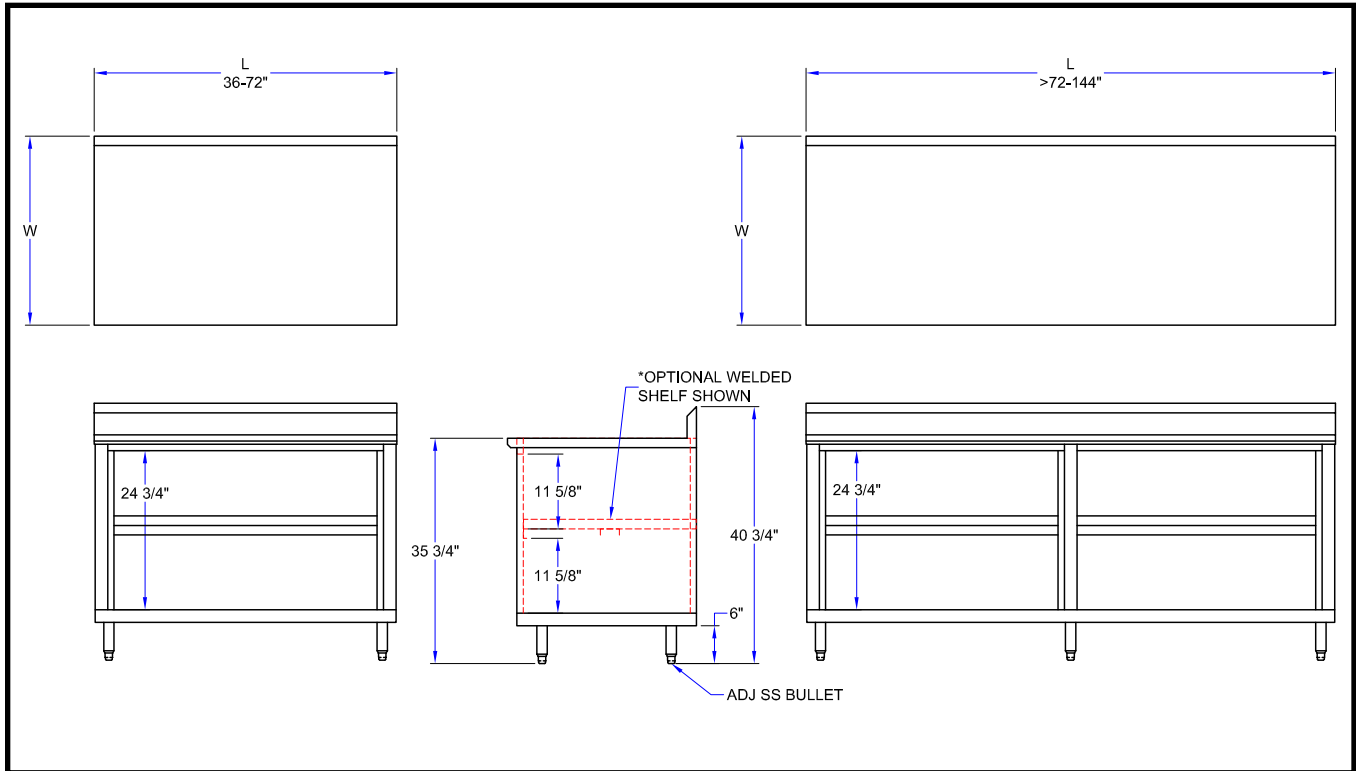
30" WIDE

MODEL	QTY
4CO6R5-3036	
4CO6R5-3048	
4CO6R5-3060	
4CO6R5-3072	
4CO6R5-3084	
4CO6R5-3096	
4CO6R5-30108	
4CO6R5-30120	
4CO6R5-30132	
4CO6R5-30144	

36" WIDE

MODEL	QTY
4CO6R5-3636	
4CO6R5-3648	
4CO6R5-3660	
4CO6R5-3672	
4CO6R5-3684	
4CO6R5-3696	
4CO6R5-36108	
4CO6R5-36120	
4CO6R5-36132	
4CO6R5-36144	

DETAILED SPECIFICATIONS



24" WIDE

LENGTH	MODEL	WT. (LBS)
36"	4CO6R5-2436	97
48"	4CO6R5-2448	118
60"	4CO6R5-2460	141
72"	4CO6R5-2472	162
84"	4CO6R5-2484	199
96"	4CO6R5-2496	221
108"	4CO6R5-24108	243
120"	4CO6R5-24120	265
132"	4CO6R5-24132	287
144"	4CO6R5-24144	309

30" WIDE

LENGTH	MODEL	WT. (LBS)
36"	4CO6R5-3036	109
48"	4CO6R5-3048	134
60"	4CO6R5-3060	157
72"	4CO6R5-3072	182
84"	4CO6R5-3084	223
96"	4CO6R5-3096	247
108"	4CO6R5-30108	271
120"	4CO6R5-30120	296
132"	4CO6R5-30132	320
144"	4CO6R5-30144	344

36" WIDE

LENGTH	MODEL	WT. (LBS)
36"	4CO6R5-3636	122
48"	4CO6R5-3648	148
60"	4CO6R5-3660	174
72"	4CO6R5-3672	201
84"	4CO6R5-3684	247
96"	4CO6R5-3696	273
108"	4CO6R5-36108	300
120"	4CO6R5-36120	325
132"	4CO6R5-36132	352
144"	4CO6R5-36144	378

MODEL # STRUCTURE

R = RISER
 6 = 16 GAUGE
 CO = S.S. CABINET OPEN FRONT
 4 = 430 STAINLESS STEEL WRAP

5 = 5" HIGH X 1-1/2" DEEP W/TURN DOWN
 24 = WIDTH - FRONT TO BACK
 36 = LENGTH - LEFT TO RIGHT

4CO6R5-2436

SOME UNITS SHIP UNASSEMBLED FOR REDUCED SHIPPING COST. ALL DIMENSIONS ARE TYPICAL. TOLERANCE +/- .500"

John Boos & Co. is constantly engaged in a program of improving products and therefore reserves the right to change specifications without prior notice.



3601 S. Banker St. • Effingham, IL 62401 • PO BOX 609 • quotes@johnboos.com

070919



www.johnboos.com

506