



ITEM #: \_\_\_\_\_ QTY: \_\_\_\_\_  
 MODEL #: \_\_\_\_\_  
 PROJECT NAME: \_\_\_\_\_

121817

3601 S. Banker St. Effingham, IL 62401 • P.O. BOX 609 • Ph: (888) 431-2667 • Fax: (800) 433-2667

## "EUBLD-21" UNDERBAR LIQUOR DISPLAY

### FEATURES:

- 4-STEP LIQUOR DISPLAY
- STAINLESS STEEL LEGS AND BRACINGS WITH ADJUSTABLE BULLET FEET

### CONSTRUCTION:

- TOP: STAINLESS STEEL TOPS ARE TIG WELDED, EXPOSED WELDS ARE POLISHED TO MATCH ADJACENT SURFACE.

### MATERIAL:

- TOP: 18GA 300 SERIES STAINLESS STEEL
- BRACING: STAINLESS STEEL
- LEGS: STAINLESS STEEL
- FEET: PLASTIC

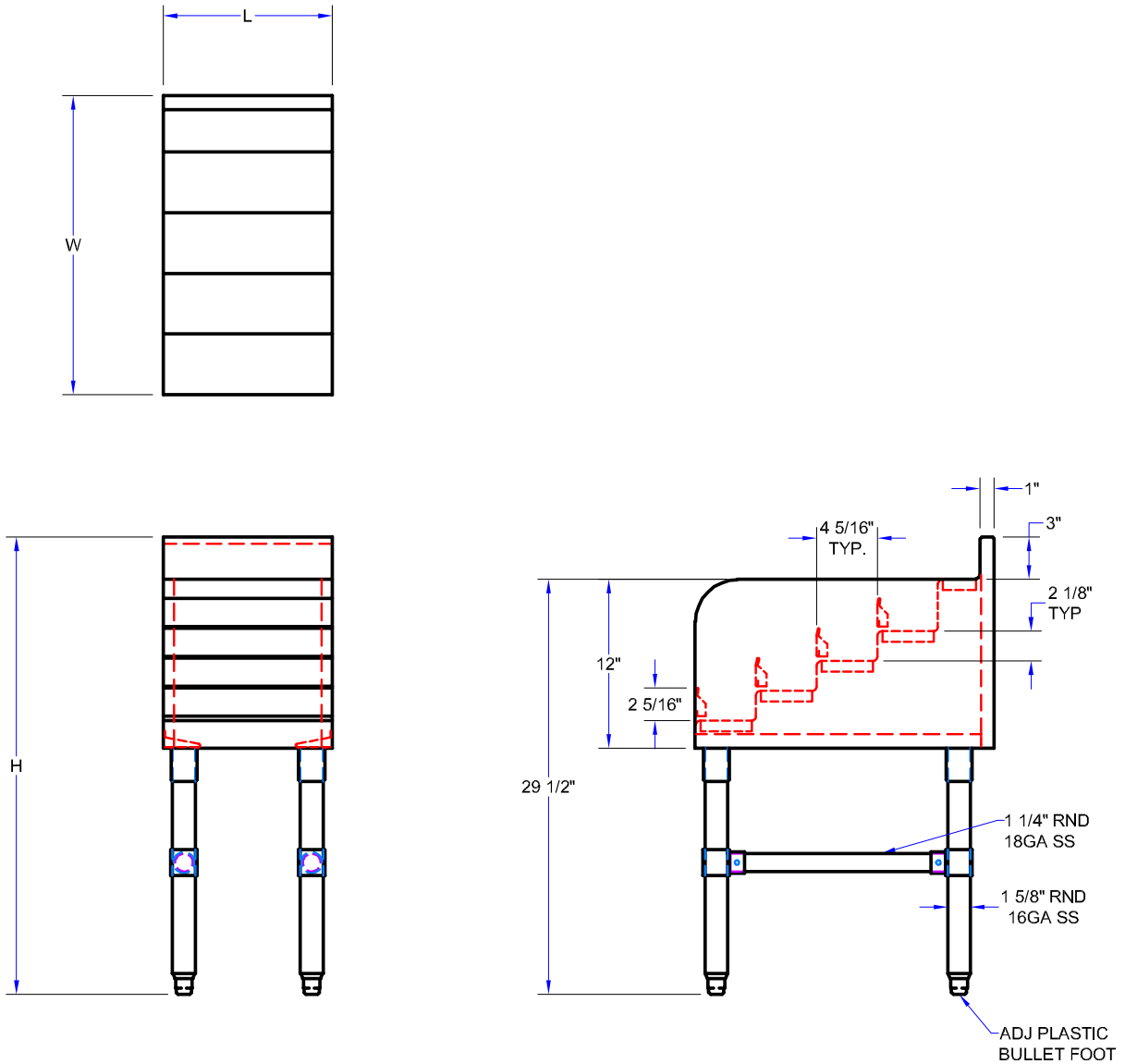


EUBLD-1821

### UNDERBAR LIQUOR DISPLAY

MODEL #	QTY
EUBLD-1221	
EUBLD-1821	
EUBLD-2421	
EUBLD-3621	

# DETAILED SPECIFICATIONS



## UNDERBAR LIQUOR DISPLAY

MODEL #	LENGTH	WIDTH	HEIGHT	WT. (LBS)
EUBLD-1221	12"	21"	32-1/2"	32
EUBLD-1821	18"	21"	32-1/2"	37
EUBLD-2421	24"	21"	32-1/2"	40
EUBLD-3621	36"	21"	32-1/2"	45

WEIGHTS ARE SUBJECT TO ADDITIONAL PACKAGING

SOME UNITS SHIP UNASSEMBLED FOR REDUCED SHIPPING COST. ALL DIMENSIONS ARE TYPICAL. TOLERANCE +/- .500"  
 John Boos & Co. is constantly engaged in a program of improving products and therefore reserves the right to change specifications without prior notice.



3601 S. Banker St. • Effingham, IL 62401 • PO BOX 609 • quotes@johnboos.com

[www.johnboos.com](http://www.johnboos.com)