



**John
BOOS**
Since 1887

ITEM #: _____ QTY: _____

MODEL #: _____

PROJECT NAME: _____

031419

3601 S. Banker St. Effingham, IL 62401 • P.O. BOX 609 • Ph: (888) 431-2667 • Fax: (800) 433-2667

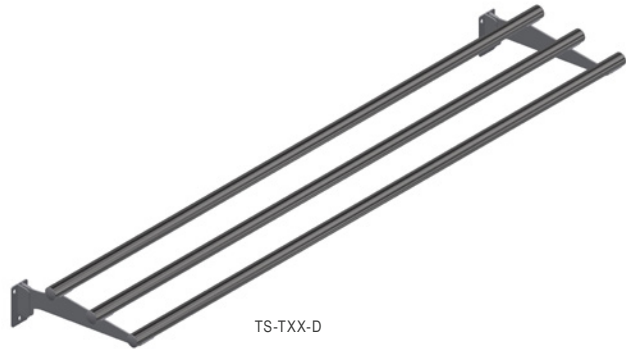
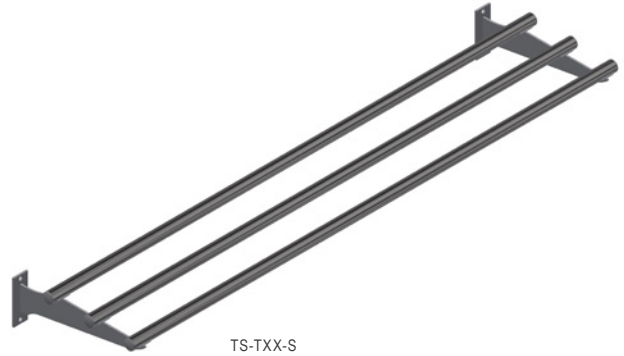
"TS-T" TRAY SLIDES - TUBULAR

FEATURES:

- MOUNTS TO ALL MODULAR CABINETS
- TUBULAR TRAY DESIGN
- 3-BAR DESIGN
- STATIONARY DESIGN: RIGID MOUNTING BRACKETS
- DROP DOWN DESIGN: DROP DOWN MOUNTING BRACKETS

MATERIAL:

- 1" O.D. STAINLESS STEEL TUBING



STATIONARY MODEL	QTY	DROP DOWN MODEL	QTY
TS-T36-S		TS-T36-D	
TS-T48-S		TS-T48-D	
TS-T60-S		TS-T60-D	
TS-T72-S		TS-T72-D	
TS-T84-S		TS-T84-D	
TS-T96-S		TS-T96-D	
TS-T108-S		TS-T108-D	
TS-T120-S		TS-T120-D	
TS-T132-S		TS-T132-D	
TS-T144-S		TS-T144-D	

MODEL # STRUCTURE

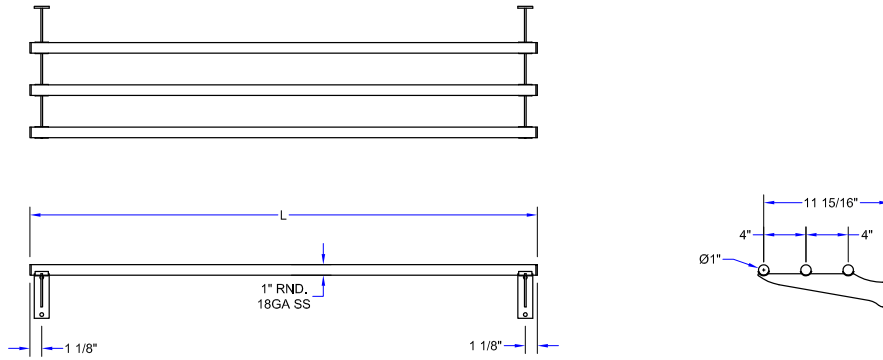
T = TUBULAR
TS = TRAY SLIDE

XX = LENGTH
D = DROP DOWN MOUNT
S = SOLID MOUNT

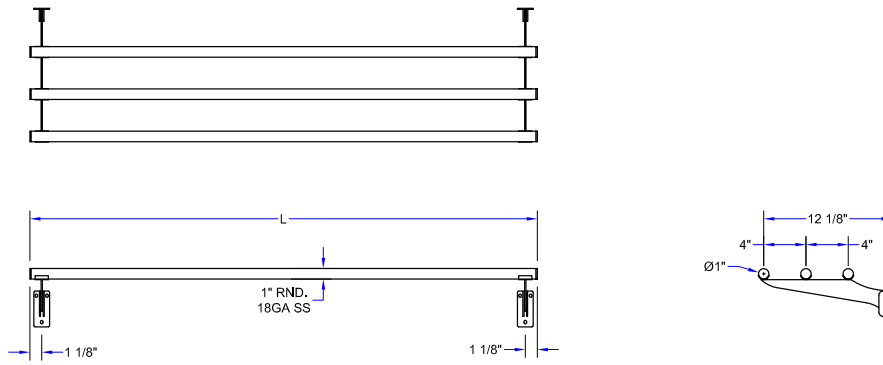
TS-TXX-D

DETAILED SPECIFICATIONS

TS-TXX-S



TS-TXX-D



"TS-T" TRAY SLIDES - TUBULAR

L	STATIONARY MODEL	WEIGHT (LBS)	DROP DOWN MODEL	WEIGHT (LBS)
36"	TS-T36-S	7	TS-T36-D	7
48"	TS-T48-S	9	TS-T48-D	9
60"	TS-T60-S	10	TS-T60-D	10
72"	TS-T72-S	12	TS-T72-D	12
84"	TS-T84-S	14	TS-T84-D	14
96"	TS-T96-S	15	TS-T96-D	15
108"	TS-T108-S	17	TS-T108-D	17
120"	TS-T120-S	19	TS-T120-D	19
132"	TS-T132-S	20	TS-T132-D	20
144"	TS-T144-S	21	TS-T144-D	21

SOME UNITS SHIP UNASSEMBLED FOR REDUCED SHIPPING COST. ALL DIMENSIONS ARE TYPICAL. TOLERANCE +/- .500"

John Boos & Co. is constantly engaged in a program of improving products and therefore reserves the right to change specifications without prior notice.



3601 S. Banker St. • Effingham, IL 62401 • PO BOX 609 • quotes@johnboos.com

031419



www.johnboos.com

951