

Slimline

Spec Sheet No. SL-3

Job Name _____

Item # _____ Qty. _____

Model # _____

Ice Chests

8" Deep

SLJ-15
SLJ-24
SLJ-36

8" Deep w/ Cold Plate

SLJ-24-7
SLJ-36-7

16" Deep

SLI-16-24
SLI-16-30
SLI-16-36

16" Deep w/ Cold Plate

SLI-16-24-7
SLI-16-30-7
SLI-16-36-7

12" Deep

SLI-12-12
SLI-12-24
SLI-12-30
SLI-12-36
SLI-12-42
SLI-12-48

12" Deep w/ Cold Plate

SLI-12-24-7
SLI-12-30-7
SLI-12-36-7
SLI-12-42-7
SLI-12-48-7



SLJ-24 is shown.

Specifications

•**Ice Bin:** 22 gauge 300 series stainless steel.

•**Front Apron:** 22 gauge 300 series stainless steel.

•**Sides:** 20 gauge 430 series stainless steel.

•**Backsplash:** 22 gauge 300 series stainless steel.

•**Insulation:**
2 lb. density styrofoam - non cold plate.
2 lb. density foam-in-place - cold plate.

•**Under Structure:** 22 gauge galvaneal fronts and backs, 11 gauge electrogalvaneal leg channel.

•**Legs:** 1-5/8" O.D. 18 gauge galvanized with electro static black powder coat and black plastic adjustable bullet feet. To include stainless steel legs add the suffix -SS.(Optional)

•**Cold Plate:** Cast aluminum with 7 circuits sealed into the bottom. Tubing to have 5 syrup and 2 water lines with 5/16" diameter stainless steel bump and swedge ends. (Optional)

•**Plumbing:**
1" I.P.S. drain - non cold plate chest.
1/2" I.P.S. drain - cold plate chest.

•**Bottle Rack:** (2) Injection molded plastic.



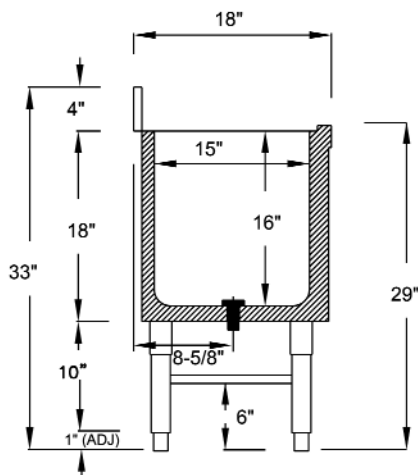
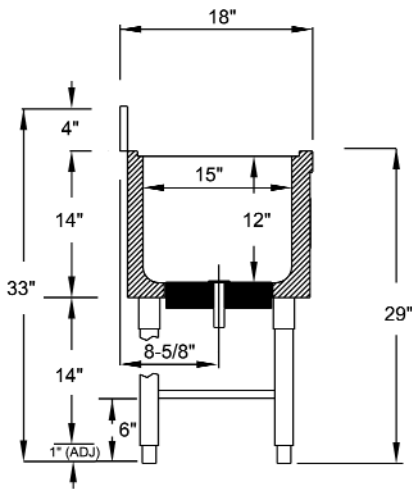
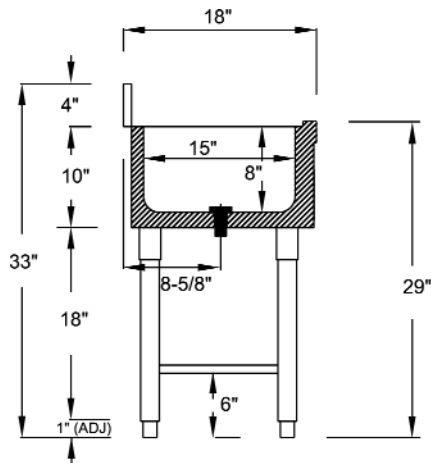
Supreme Metal

Toll Free: 800-645-2526

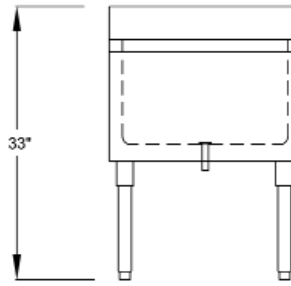
Fax: 770-740-6010

www.suprememetal.com

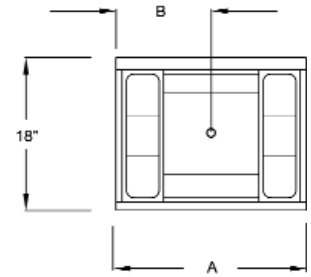
Slimline



Sectional View



Elevation



Plan View

| Model Number | Overall Length (A) | Dis. to Drain (B) | Ice Capacity | Packaged Weight | Cubic Feet |
|---|--------------------|-------------------|--------------|-----------------|------------|
| 8" Deep Ice Bins | | | | | |
| SLJ-15 | 15" | 7.5" | 30 lbs. | 40 Lbs. | 6 |
| SLJ-24 | 23" | 11.5" | 54 lbs. | 48 Lbs. | 7 |
| SLJ-36 | 35" | 17.5" | 83 lbs | 62 Lbs. | 9.3 |
| 8" Deep Ice Bins w/ 7 Circuit Cold Plates | | | | | |
| SLJ-24-7 | 23" | 11.5" | 54 lbs. | 82 lbs. | 6 |
| SLJ-36-7 | 35" | 17.5" | 83 lbs. | 94 lbs. | 9.3 |
| 12" Deep Ice Bins | | | | | |
| SLI-12-12 | 12" | 6" | 35 lbs. | 26 Lbs. | 6 |
| SLI-12-24 | 23" | 11.5" | 77 lbs. | 52 Lbs. | 7 |
| SLI-12-30 | 29" | 14.5" | 98 lbs. | 60 Lbs. | 11 |
| SLI-12-36 | 35" | 17.5" | 119 lbs. | 68 Lbs. | 12.6 |
| SLI-12-42 | 41" | 20.5" | 140 lbs. | 72 Lbs. | 12.8 |
| SLI-12-48 | 47" | 23.5" | 161 lbs. | 80 Lbs. | 13.5 |
| 12" Deep Ice Bins w/ 7 Circuit Cold Plates | | | | | |
| SLI-12-24-7 | 23" | 11.5" | 77 lbs. | 88 Lbs. | 7 |
| SLI-12-30-7 | 29" | 14.5" | 98 lbs. | 92 Lbs. | 11 |
| SLI-12-36-7 | 35" | 17.5" | 119 lbs. | 982 Lbs. | 12.6 |
| SLI-12-42-7 | 41" | 20.5" | 140 lbs. | 105 Lbs. | 12.8 |
| SLI-12-48-7 | 47" | 23.5" | 161 lbs. | 110 Lbs. | 13.5 |
| 16" Deep Ice Bins | | | | | |
| SLI-16-24 | 23" | 11.5" | 100 lbs. | 61 lbs. | 7 |
| SLI-16-30 | 29" | 14.5" | 127 lbs. | 69 lbs. | 11.5 |
| SLI-16-36 | 35" | 17.5" | 155 lbs. | 77 lbs. | 15.5 |
| 16" Deep Ice Bins w/ 7 Circuit Cold Plates | | | | | |
| SLI-16-24-7 | 23" | 11.5" | 100 lbs. | 963 lbs. | 7 |
| SLI-16-30-7 | 29" | 14.5" | 127 lbs. | 104 lbs. | 11.5 |
| SLI-16-36-7 | 35" | 17.5" | 155 lbs. | 112 lbs. | 15.5 |

SupremeMetal is constantly engaged in a program of improving their products. We reserve the right to change our specifications without prior notice.