

Item# \_\_\_\_\_  
Project: \_\_\_\_\_  
Qty: \_\_\_\_\_

# Electric Thermostatic Griddles

**ETG-16**



**ETG-24**



**ETG-30**



**ETG-36  
(not shown)**

## Features

- Heavy duty stainless steel construction
- 4" Heavy duty stainless steel legs adjust from 3½" - 5½"
- 150° - 570° F temperature control
- 3" Steel side and back splash guards
- Fully removable grease pan
- Excellent for quickly preparing foods: Meats, vegetables, eggs, etc.
- Fully welded griddle plate
- Quick heating ½" steel cooking surface (ETG-16 / ETG-24 / ETG-30)
- Heavy duty 1" steel cooking surface (ETG-36)
- Power on and heat indicator lights
- ETL sanitation and CE listed
- 1 Year replacement part only warranty

Serv-Ware



Serv-Ware  
[www.servware.com](http://www.servware.com)

Phone:(800).768.5953

Revised 5/18

Fax:(800).976.1299



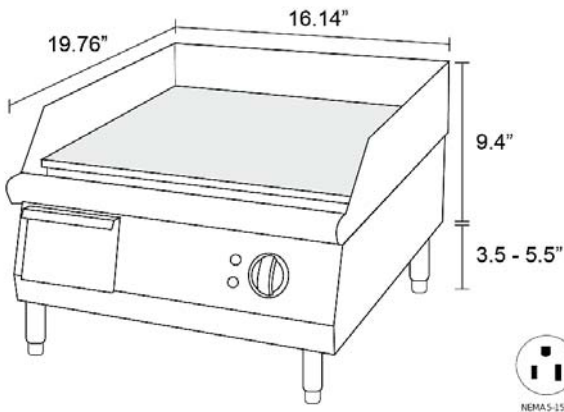
Item# \_\_\_\_\_

Project: \_\_\_\_\_

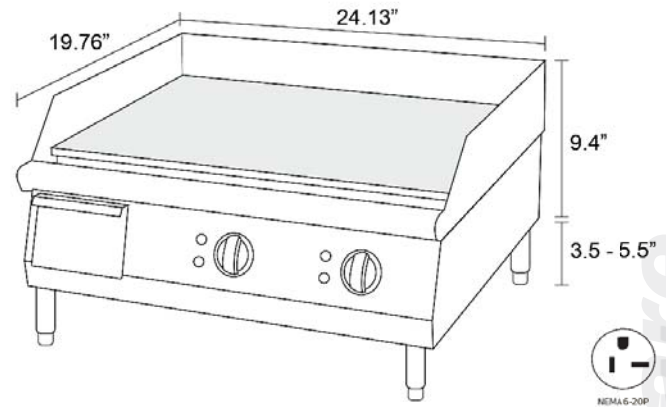
Qty: \_\_\_\_\_

# Electric Thermostatic Griddles

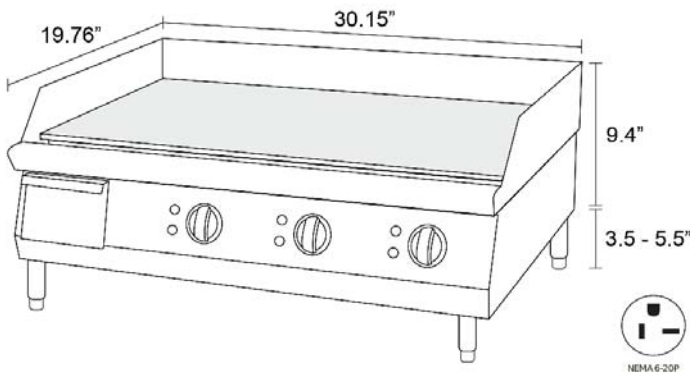
**ETG-16**



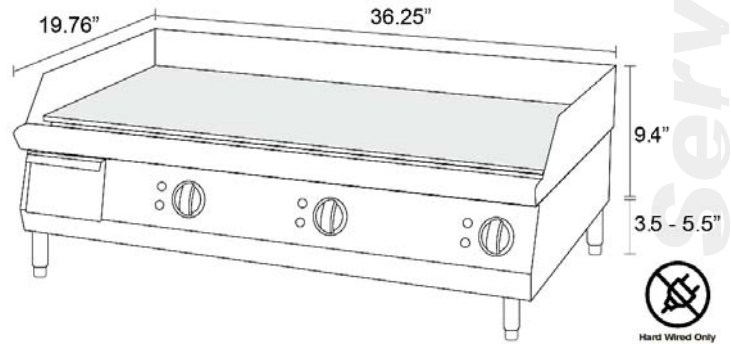
**ETG-24**



**ETG-30**



**ETG-36**



<b>Model</b>	<b>Electrical</b>	<b>Cooking Plate Dimensions</b> (W x D)	<b>Outside Dimensions</b> (W x D x H)	<b>Weight</b> (Shipping)
ETG-16	1750W/120V	16" x 15.5"	16.14" x 19.76" x 9.40"	65 lbs.
ETG-24	3560W/208V	24" x 15.5"	24.13" x 19.76" x 9.40"	92 lbs.
ETG-30	4500W/208V	30" x 15.5"	30.15" x 19.76" x 9.40"	111 lbs.
ETG-36	10,080W/208V	36" x 15.5"	36.25" x 19.76" x 9.40"	144 lbs.



Serv-Ware  
[www.servware.com](http://www.servware.com)  
Phone: (800).768.5953

Revised 5/18  
Fax: (800).976.1299



Intertek

