

AMERICAN RANGE

Chef Inspired, Professional Cooking Equipment

Culinary Series

INFRARED CHEESE MELTER BROILERS

GAS TYPE: NATURAL LP

STANDARD FEATURES

- Stainless steel exterior on front, sides and top.
- Heavy gauge construction.
- Power-Plus 35,000 BTU/hr. Infrared Burner.
- High efficiency atmospheric infrared burners
- Standing pilots and individual controls for instant ignition, for each burner.
- Heavy duty chrome plated food rack (one).
- Two position rack guides.
- Removable full-width drip pan for easy cleanup.
- One year limited warranty, parts and labor.

OPTIONAL FEATURES

- Adjustable 4" counter legs.
- Wall mounting brackets. Can be mounted to most AR-Series ranges. Must be ordered with range. Please call for details.
- Available widths: 24", 36" 48" 60", 72" and 84".



Model Shown ARCM-36

Power-Plus
35,000 BTU/hr. Infrared Burner

The Culinary Series by American Range, Cheese Melters are built to provide many years of dependable service. The heavy gauge construction along with stainless steel exterior give strength and durability, and is easy to maintain and clean. These units are designed for superior preparation of Mexican and Italian specialties and also are a good choice for an auxiliary unit to prepare steaks, fish and lobster.

They are ideal for au gratin dishes, omelets, meringues and for browning and finishing. Atmospheric infrared burners are provided for long life and energy efficiency.

Look to American Range for innovation, reliable performance, quality and attention to your equipment needs and prompt delivery, now and for all your future needs.

Quality, dependability and customer satisfaction make American Range the **brand of choice among professional chefs and restaurateurs worldwide.**



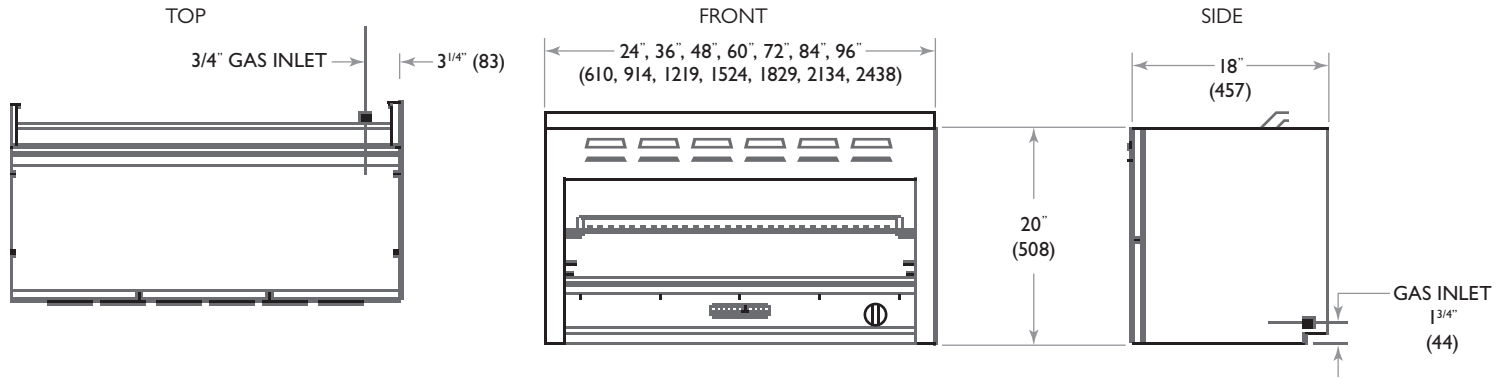
DESIGNED & BUILT IN USA
PROFESSIONAL COOKING EQUIPMENT

www.AmericanRange.com



Culinary Series

INFRARED CHEESE MELTER BROILERS



ARCM-36

Model	Width	Depth	Height	Burners	Total BTU	KW	Shipping Weight	Lbs.	Kg.
ARCM-24	24"	18"	21-1/2"	1	20,000	6		125	57
ARCM-36	36"	18"	21-1/2"	1	35,000	11		149	68
ARCM-48	48"	18"	21-1/2"	2	40,000	12		188	85
ARCM-60	60"	18"	21-1/2"	2	55,000	17		224	102
ARCM-72	72"	18"	21-1/2"	2	70,000	21		280	127
ARCM-84	84"	18"	21-1/2"	3	75,000	22		300	137

STANDARD FEATURES

- Stainless steel exterior (front, sides and top).
- Heavy gauge construction.
- High efficiency atmospheric infrared burners.
- Standing pilots and individual controls for instant ignition, each burner.
- Heavy duty chrome plated food rack (one furnished).
- Two position rack guides.
- Removable full width drip pan for easy clean up.
- One year limited warranty, parts and labor.

OPTIONAL FEATURES

- Adjustable 4" (102) counter legs.
- Wall mounting brackets.
- Can be mounted to most AR-Series ranges.
Must be ordered with range. Please call for details.
- Available widths: 24" (610), 36" (914), 48" (1219), 60" (1524), 72" (1829), 84" (2134).

GAS SUPPLY:

3/4" NPT Gas inlet. Manifold pressure is 5.0" W.C. for natural gas or 10.0" W.C. for propane gas. Specify type of gas and altitude if over 2000 feet.

CLEARANCES:

Legs or casters are required, or 2" (51) overhang is required when curb mounted. Clearance from non-combustible walls is 0". When unit is placed next to combustible walls, clearances must exceed 12" (305) on sides, and 4" (102) from rear.

American Range is a quality manufacturer of commercial cooking equipment because of continuing product improvements these specifications are subject to change without prior notice.



A70189
10292020



13592 Desmond St. Pacoima CA 91331
T. 818.897.0808 F. 818.897.1670
Toll Free: 888.753.9898
www.americanrange.com