



SANITATION CERTIFIED LOW PROFILE 7

Ambient (Unheated) Air Curtain

Data Sheet

For Door Heights To 7' (insect control)

STANDARD CONSTRUCTION

- EPH Listed per NSF 37
- 8 1/2" high x 8" deep
- 1/5 hp single speed motor(s)
- White powder coated exterior (Optional: Custom Color or Stainless)
- Wall & Top Mounting

5 Year
Limited
Warranty



for outdoor use



Air Curtain Fans
for ANSI/NSF37
Customer Entry
maximum mounting
height is 7'

MODEL	Nozzle Width (in)	Max Vel. at Nozzle (fpm)	Avg. Outlet Vel. (fpm)	Air Volume (cfm)	Outlet Vel. Uniformity	Power Rating (kW)	Motor(s) @ hp	Net Wt. (lbs)
SLC07-1036A	34.62	3,621	1,786	1,020	92%	0.32	1 @ 1/5	35
SLC07-1042A	40.62	3,439	1,773	1,188	93%	0.32	1 @ 1/5	38
SLC07-1048A	46.62	3,274	1,769	1,360	94%	0.32	1 @ 1/5	42
SLC07-1060A	58.13	2,984	1,727	1,656	95%	0.32	1 @ 1/5	49
SLC07-1072A	71.37	2,913	1,725	2,031	95%	0.32	1 @ 1/5	56
SLC07-2084A	83.50	3,439	1,725	2,376	93%	0.64	2 @ 1/5	76
SLC07-2096A	95.50	3,274	1,727	2,720	94%	0.64	2 @ 1/5	84
SLC07-2108A	107.00	3,274	1,709	3,016	94%	0.64	2 @ 1/5	91
SLC07-2120A	118.50	2,984	1,695	3,312	95%	0.64	2 @ 1/5	98

NOTE: Operation at 50 Hz will generate approximately a 17% reduction in air performance.

See sheet EP-300 for amp draws/total load requirements.

VELOCITY PROFILE: Model SLC07-1036A

Distance from Nozzle (ft)	2	3	4
Core Velocity (fpm)	1986	1643	1407

MODEL NUMBER CONFIGURATION

SLC07-1 036 A A-SS

Series	# of Motors	Opening Width	Heat	Voltage	Opt. Cabinet Finish
SLC07	1, 2	036" - 120"	A=Ambient	*A=120/1/60 B=208/1/60 J=240/1/60 V=220/1/50	SS=Stainless Steel CC=Custom Color

*Suitable for 50hz

Sound level measured 10' (3m) from the unit in free field:
1 & 2 motor(s): 54 dBA & 57 dBA

Berner reserves the right to alter specifications without prior notice.

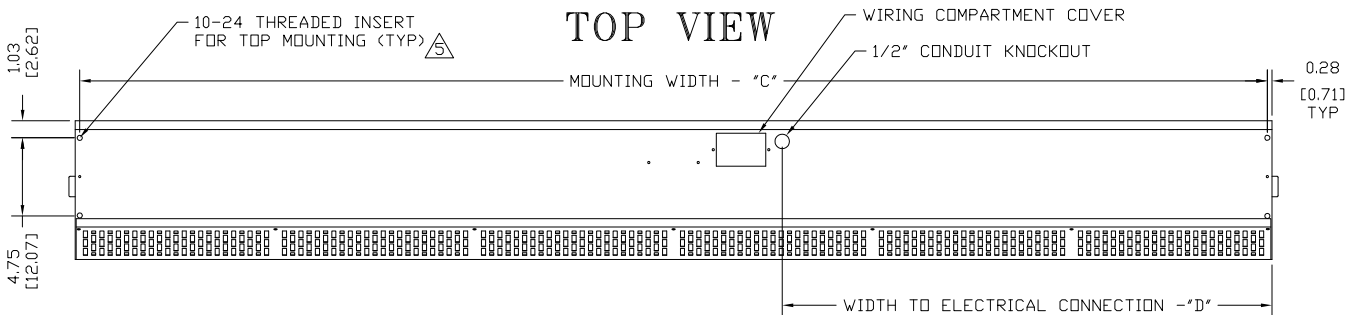


SANITATION CERTIFIED LOW PROFILE 7

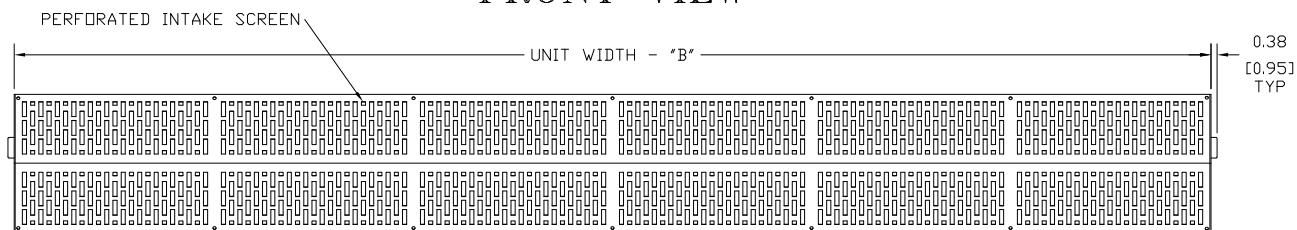
Ambient (Unheated) Air Curtain Electrical Performance Sheet

MODEL	120/1/60 (voltage code A) MOTOR AMP DRAW = 3.4 each			208/1/60 (voltage code B) or 220/1/50 (voltage code V) MOTOR AMP DRAW = 1.7 each			240/1/60 (voltage code J) MOTOR AMP DRAW = 1.7 each		
	# CKTS	AMPS PER CIRCUIT	BREAKER RATING PER CIRCUIT	# CKTS	AMPS PER CIRCUIT	BREAKER RATING PER CIRCUIT	# CKTS	AMPS PER CIRCUIT	BREAKER RATING PER CIRCUIT
SLC07-1036A SLC07-1042A SLC07-1048A SLC07-1060A SLC07-1072A	1	3.4	15	1	1.7	15	1	1.7	15
SLC07-2084A SLC07-2096A SLC07-2108A SLC07-2120A	1	6.8	15	1	3.4	15	1	3.4	15

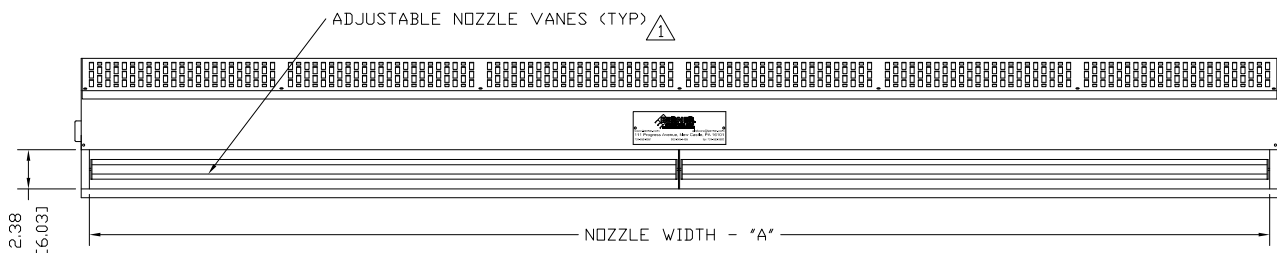
Berner reserves the right to alter specifications without prior notice.



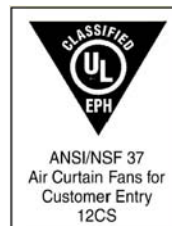
FRONT VIEW



BOTTOM VIEW

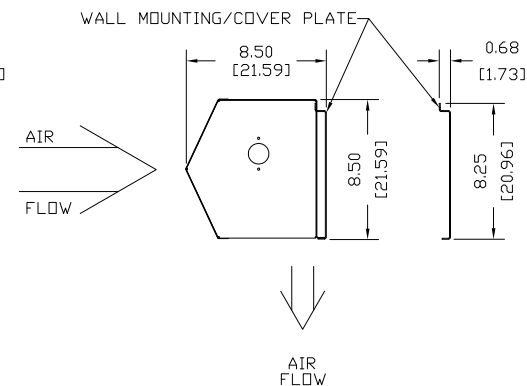


MODEL ^{△6}	NOZZLE WIDTH "A"	UNIT WIDTH "B"	MOUNTING WIDTH "C"	ELECTRIC WIDTH "D"
SLC07-1036A	34.62 [87.95]	36.06 [91.60]	35.50 [90.17]	11.43 [29.05]
SLC07-1042A	40.62 [103.17]	42.06 [106.83]	41.50 [105.41]	17.06 [43.33]
SLC07-1048A	46.62 [118.41]	48.06 [122.07]	47.50 [120.65]	17.12 [43.50]
SLC07-1060A	58.13 [147.65]	59.55 [151.26]	59.00 [149.86]	23.18 [58.88]
SLC07-1072A	71.37 [181.28]	72.81 [184.94]	72.25 [183.52]	29.50 [74.93]
SLC07-2084A	83.50 [212.09]	84.94 [215.74]	84.38 [214.31]	17.06 [43.33]
SLC07-2096A	95.50 [242.57]	96.94 [246.23]	96.38 [244.79]	17.12 [43.50]
SLC07-2108A	107.00 [271.78]	108.44 [275.44]	107.88 [274.00]	17.12 [43.50]
SLC07-2120A	118.50 [300.99]	119.94 [304.65]	119.38 [303.21]	23.18 [58.88]



SLC07 AMBIENT SYSTEM SINGLE SPEED

END VIEW



NOTES:

- ^{△1} AIR CURTAIN MUST BE INSTALLED SO AIR STREAM IS NOT OBSTRUCTED WHEN DEFLECTED 20° TO EITHER SIDE OF C .
- ^{△2} ELECTRICAL CONNECTIONS TO BE FLEXIBLE.
- ^{△3} FIELD VERIFY DIMENSIONS.
- ^{△4} ANCHORS TO SUPPORTING STRUCTURE BY OTHERS.
- ^{△5} ADEQUACY OF SUPPORTING STRUCTURE IS TO BE VERIFIED BY A PROFESSIONAL STRUCTURAL ENGINEER.
- ^{△6} LETTER "A" IN MODEL NUMBER DESIGNATES AMBIENT UNIT.
- [△] DIMENSIONS IN INCHES (CENTIMETERS).

PROJECT		
LOCATION		
ARCHITECT		
ENGINEER		REV. -
DWG. NO.	SLC07-AMB	TITLE: BERNER
DATE	14 OCT 14	MODEL SLC07 CURTAIN
BY	S. Beil	AMBIENT SYSTEM
REPLACES	-	BERNER INTERNATIONAL CORP. NEW CASTLE, PA.
BY	-	