



Item #: _____ Qty. #: _____

Model #: _____

Project #: _____

COMPARTMENT SINKS



SKIC1T18181418L

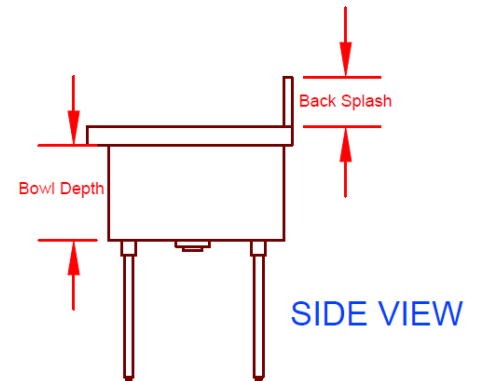
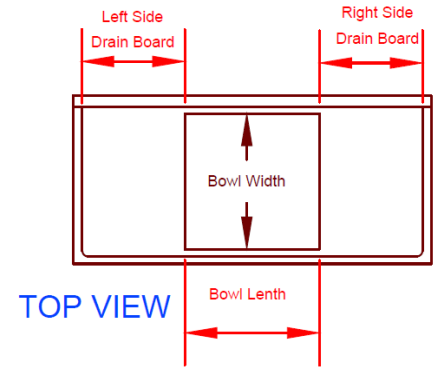


SKIC3T16201418RL



SKIC2T18181418L

SINK COMP.	MODEL #	U/M	BOWL SIZE LxWxD (in)	DRAIN BOARD SIZE (in)	OAL (in)
1 COMPARTMENT					
1	SKIC1T1818400	EA	18x18x14	N/A	24.5
1	SKIC1T18181418L	EA	18x18x14	18-L	39.5
1	SKIC1T18181418R	EA	18x18x14	18-R	39.5
1	SKIC1T24241400	EA	24x24x14	N/A	28
1	SKIC1T24241424L	EA	24x24x14	24-L	52
1	SKIC1T24241424R	EA	24x24x14	24-R	52
1	SKIC1T24241424RL	EA	24x24x14	24-RL	76
2 COMPARTMENT					
2	SKIC2T18181400	EA	18x18x14	N/A	40
2	SKIC2T18181418L	EA	18x18x14	18-L	58
2	SKIC2T18181418R	EA	18x18x14	18-R	58
2	SKIC2T18181418RL	EA	18x18x14	18-RL	76
2	SKIC2T24241400	EA	24x24x14	N/A	52
2	SKIC2T24241424RL	EA	24x24x14	24-RL	100
3 COMPARTMENT					
3	SKIC3T16201418RL	EA	16x20x14	18-RL	84
3	SKIC3T18181400	EA	18x18x14	N/A	40
3	SKIC3T18181418RL	EA	18x18x14	18-RL	90
3	SKICT3T18241424RL	EA	18x24x14	24-RL	104
3	SKIC3T24241400	EA	24x24x14	N/A	76
3	SKIC3T24241424RL	EA	24x24x14	24-RL	120
BAR SINKS					
1	SKICBS1T14	EA	10x14x10	N/A	12
4	SKICBS4T72LR	EA	10x14x10	N/A	72



Features:

- 304 Stainless steel top.
- 1.2mm galvanized legs.
- 10" back splash.
- 6" back splash on bar sinks.