



CNVX-14E

CNVX-14E

Single or Double Electric Convection Oven
Also designed to stack under
BCX-14E or BX-14E Combi Ovens

Refer to BCX-14E and BX-14E specification sheets for information on the combi ovens.



BCX-14E double shown with optional SmartTouch2 control

Project _____

Item No. _____

Quantity _____

All data is shown per oven section, unless otherwise indicated.

Refer to operator manual specification chart for listed model names.

EXTERIOR CONSTRUCTION

- Stainless steel top, front, sides and back
- Dual pane tempered viewing window with hinged inner glass for easy cleaning
- Door mounted condensate trough
- Top and bottom mount, easily adjustable door hinges
- Pivot out user interface panel for service access

INTERIOR CONSTRUCTION

- Fully welded stainless steel frame
- Fully insulated cooking chamber
- Fixed drain bottom center of cavity
- Easily removable stainless steel side rails
- Coved corner liner for ease of cleaning

OPERATION

- Programmable manual control stores up to 100 recipes
- Core probe cook & hold capabilities with 4" removeable fillet core probe
- Hydroburst for shot of 100% humidity at any time during the cook cycle
- USB connection for recipe upload or download
- Thermostat control to 500F
- Multiple speed reversing fan for even bake
- Dual stage door latch
- Integral door switch

CAPACITY

- Fourteen 12" x 20" x 2-1/2" deep pans at 3-1/4" spacing
- Seven 18" x 26" deep pans at 3-1/4" spacing

STANDARD FEATURES

- Seven (7) stainless steel wire shelves per section
- Hinged pressure panel for cleanability
- Halogen lights for superior cavity illumination
- Retractable hose reel (excluding top sections)
- Stacking kit and casters for double stack ovens
- Pressure spray bottle for oven cleaning
- 4" core temperature probe
- Floor stand with rack supports
- Start-up inspection service by factory authorized service agent
- One year parts and labor oven warranty*

* For all international markets, contact your local distributor.

OPTIONS AND ACCESSORIES

(AT ADDITIONAL CHARGE)

- **Legs**
 - 6" (152.4mm) adjustable legs
 - 6" (152.4mm) seismic legs
 - 25" (635mm) adjustable legs
 - Stand mount casters
- **Core Probes**
 - 4" duel sensing probe
 - 6" duel sensing probe
 - Additional 4" fillet probe
- SmartTouch2 control - NEW 7-inch touchscreen stores up to 500 recipes. Includes rack timing, multi-shelf recipes, easy download for recipe writing on your laptop, and HACCP storage capability
- 415/240VAC, 3 phase
- Backflow preventer
- Side heat shield
- Additional stainless steel wire shelves
- Chicken roasting rack
- Extended warranty



Intertek



BLODGETT OVEN COMPANY

www.blodgett.com

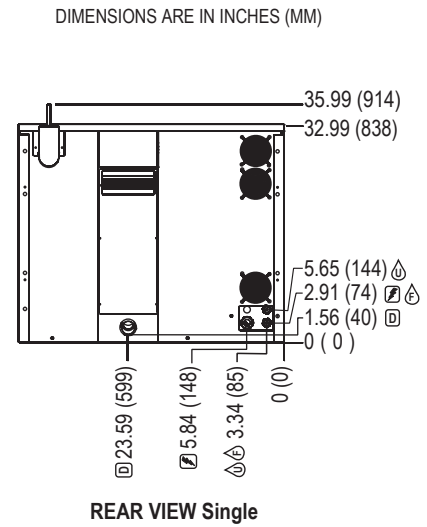
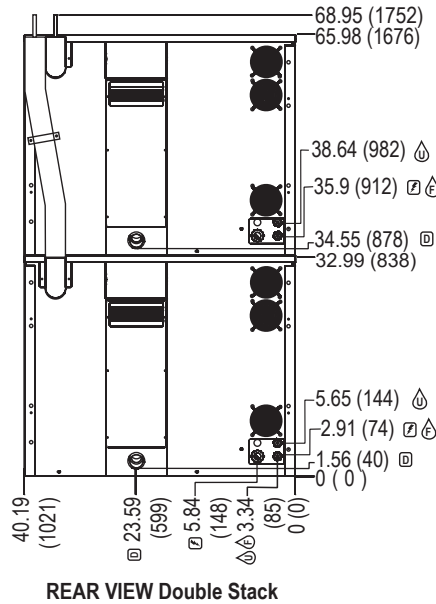
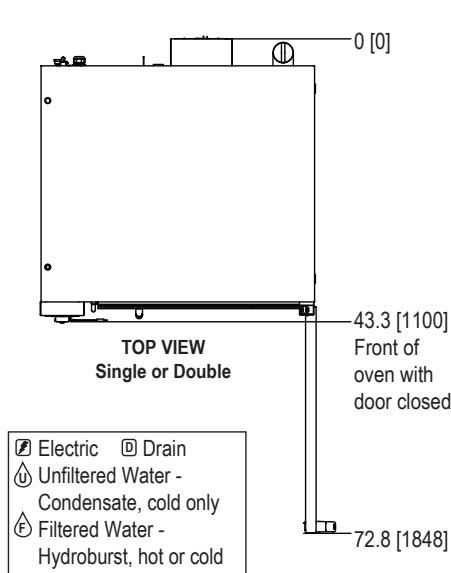
42 Allen Martin Drive, Essex Junction, VT 05452
Phone: (802) 658-6600 • Fax: (802) 864-0183



CNVX-14E



APPROVAL/STAMP



SHORT FORM SPECIFICATIONS: Provide Blodgett Combi model CNVX-14E single, electric convection oven. Unit shall have the ability to cook with hot air at an operating range 140F to 500F, and low temperature cook & hold and HydroBurst shot of 100% humidity at any time during the cook cycle. Unit shall have programmable manual control capable of storing 100 recipes and USB connection. Oven capacity to accept 7ea 18x26 bake pans or 14ea 12x20x2.5" full size steam table pans with 3-1/4" spacing. Front access service user interface control panel and service diagnosis system. Unit shall be constructed with a fully welded stainless steel frame. Cooking chamber shall be constructed with 316 series with 2B dull stainless steel finish and covered corners. Retractable hose reel (excluding top sections) to include front water shut off valve. Unit shall include a four speed, bi-directional fan. Dual pane thermal glass window with 180 degree door swing, two-step safety door-latch with adjustable door hinges, door mounted drip pan. Unit to include a detachable 4" core temperature probe and halogen lights. Where applicable, quantities in this spec are doubled for stacked units. Unit can also stack with Blodgett model BCX-14E or BX-14E combination oven-steamers. A start-up inspection service will be performed by our factory-authorized agent at no cost to the operator. One-year parts and labor warranty, standard.

DIMENSIONS:

Floor space: 42.30" x 40.19" (1074 x 1021mm)

Unit Height:

Single 35.99" (914mm)
Double 68.98" (1752mm)

Additional Height:

6" adjustable legs 6.88" - 8" (174.6-203.2mm)
6" adjustable seismic legs 6.63" - 8" (168.3-203.2mm)
25" adjustable legs 25.25" - 26.38" (641.4-670mm)
Low profile caster 4" (101.6mm)
Stand w/rack supports 28" (711mm)

OVEN CLEARANCES:

Right Side 2" (50.8mm)
Left Side 2" (50.8mm)
Rear 3" (76.2mm)

MINIMUM ENTRY CLEARANCE:

Uncrated 33" (838mm)
Crated 42" (1066.8mm)

POWER SUPPLY (per section):

208VAC 19.0 kW 3 phase (53 amp)
240VAC 19.0 kW 3 phase (46 amp)
480VAC 19.0 kW 3 phase (23 amp)

NOTE: The company reserves the right to make substitutions of components without prior notice.

WATER SUPPLY & DRAIN:

Good quality water feed is the responsibility of the owner. Water quality must be within the following general guidelines.

TDS: 40-125 ppm Hardness: 35-100 ppm pH: 7.0 - 8.5
Silica: <13 ppm Chlorides: <25 ppm Chlorine: <0.2 ppm
Chloramine: <0.2 ppm

Water Supply: 3/4" hose cold water connection

Drain:

2" drain connection Maximum drain temperature 140°F (60°C)

The drain piping must consist of temperature resistant material, greater than 160°F, and be of adequate diameter not to cause flow restriction. Improper materials may deform and cause restrictions, thus affecting performance.

Appliance is to be installed with backflow protection in accordance with Federal, State or Local codes.

SHIPPING INFORMATION:

Approx. Weight:

Single section 595 lbs. (270 kg)
Double stack* 1220 lbs. (553 kg)
Stand w/guides 140 lbs. (64 kg)

*Use single section weight when stacking with BCX-14E or BX-14E

Crate size (per section):

44.5" H x 42" W x 54.5" D (1130 x 1067 x 1384mm)