

DISPLAY FREEZER (0°F)

Model: 1FXSNGDHD

Natural Refrigerant R-290 Model

1-Section Extra-Wide Display Reach-In Freezer with Half Hinged Glass Doors - Shallow Depth

1FXSNGDHD - Stainless steel front, aluminum end panels and interior

1FXSNSAGDHD - Stainless steel exterior, aluminum interior

1FXSNSSGDHD - Stainless steel exterior and interior



Options and Accessories

(upcharge and lead times may apply)

| | |
|-----------------------------------|---|
| Stainless steel case back | Rehinging of doors (consult factory) |
| Add'l epoxy-coated steel shelves | Adjustable legs |
| Chrome or stainless steel shelves | Special electrical req. (consult factory) |
| Heavy-duty pilaster strips | |

Consult factory for other model configurations, options and accessories.

Project Name:

Model Specified:

Location:

Item No:

Quantity:

AIA #:

SIS #:

Standard Model Features

REFRIGERATION SYSTEM

Self contained, performance-rated refrigeration system

Natural, environmentally-safe, high-efficiency R-290 refrigerant¹

Automatic, electric condensate evaporator

Expansion valve system

Standard operating temperature is 0 to -5°F and can be adjusted to operate as low as -10°F in a 90°F ambient.

CABINET ARCHITECTURE

3" non-CFC polyurethane foam insulation

Triple-pane, tempered hinged glass doors

Chrome-plated door handles

Cam action, lift-off hinges

Self-closing doors

Magnetic snap-in door gaskets

Cylinder lock in each door

Heavy-duty, epoxy-coated steel shelves

5" casters

MODEL FEATURES

LED interior lighting

Electronic controller w/digital display & hi-low alarm

Automatic electric defrost

¹ R-290 refrigerant meets all federal and state regulatory requirements.

Continental
Refrigerator

Toll-Free: 800-523-7138
Phone: 215-244-1400
Fax: 215-244-9579

539 Dunksferry Road
Bensalem, PA 19020
www.continentalrefrigerator.com

APPROVAL:

Model Specifications

DIMENSIONAL DATA

| | |
|--|------------------|
| Net Capacity (cu. ft.) | 26 (736 cu l) |
| Width, Overall (in.) | 36 1/4 (921 mm) |
| Depth, Overall (in.) (incl. handle) | 29 1/4 (743 mm) |
| Depth (in.) (less door) | 25 7/8 (657 mm) |
| Depth (in.) (door open 90°) | 60 3/4 (1543 mm) |
| Clear Door Width (in.) | 29 5/8 (752 mm) |
| Clear Half Door Height (in.) | 27 1/2 (699 mm) |
| Height, Overall (in.) (incl. 5" casters) | 82 1/4 (2089 mm) |
| No. of Doors | 2 |
| No. of Shelves | 4 |
| Shelf Area (sq. ft.) | 24.4 (2.3 sq m) |

REFRIGERANT DATA

| | |
|-----------------------------|------|
| Condensing Unit Size (H.P.) | 1/2 |
| Capacity (BTU/Hr)* | 2720 |

ELECTRICAL DATA

| | |
|-------------------------------------|---------------------|
| Voltage (int'l) | 115/60/1 (220/50/1) |
| Feed Wires (incl. ground) | 3 |
| Total Amps (int'l) | 9.4 (8.9) |
| Defrost Amps (int'l) | 6.5 (3.3) |
| 10 ft. Cord/Plug [attached] (int'l) | Yes (No) |

SHIPPING DATA

| | |
|----------------------------|------------------|
| Height - Crated (in.) | 85 1/2 (2172 mm) |
| Width - Crated (in.) | 42 (1067 mm) |
| Depth - Crated (in.) | 42 (1067 mm) |
| Volume - Crated (cu. ft.) | 87 (2464 cu l) |
| Weight Std - Crated (lbs.) | 455 (206 kg) |
| Weight SS - Crated (lbs.) | 465 (211 kg) |

* Rating @ -15°F evaporator, 90°F ambient

Figures in parentheses reflect metric equivalents rounded to the nearest whole unit.



Equipped with one NEMA-5-15P Plug
(varies by country)

Continental
Refrigerator

Toll-Free: 800-523-7138
Phone: 215-244-1400
Fax: 215-244-9579

539 Dunkserry Road
Bensalem, PA 19020
www.continentalrefrigerator.com

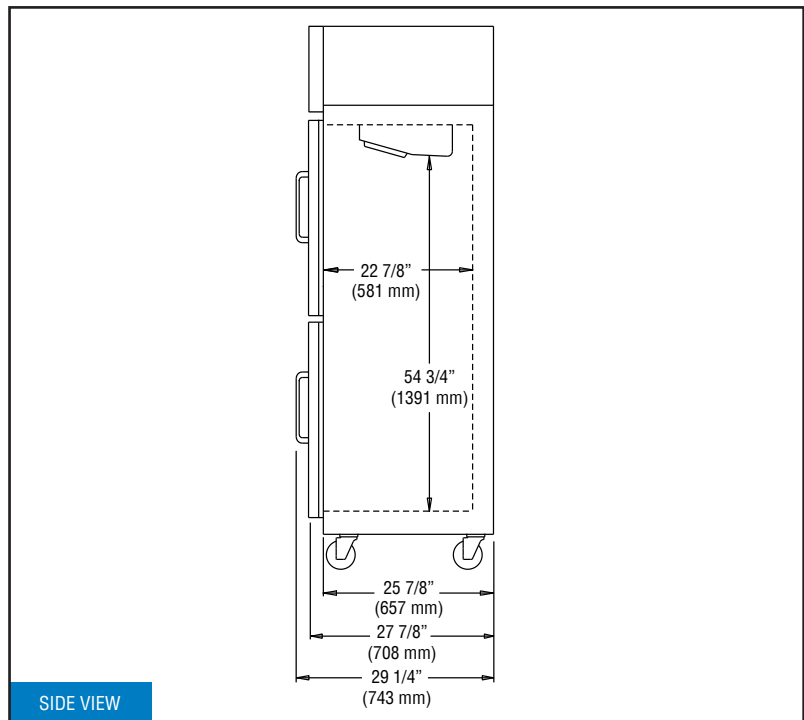
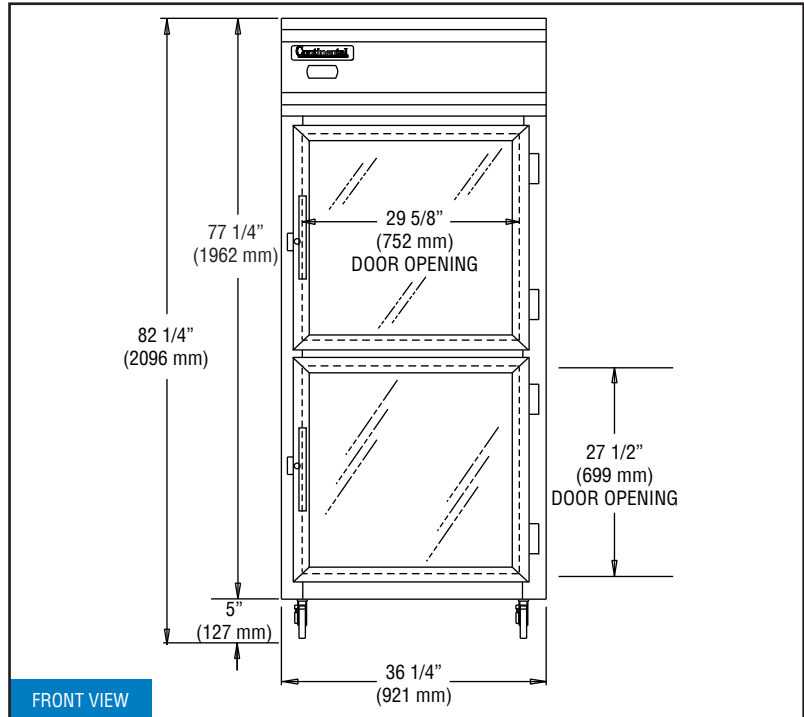
Due to our continued efforts in developing innovative products, specifications subject to change without notice.



MADE IN THE U.S.A.

© Copyright 2020. Continental Refrigerator.
A Division of National Refrigeration & Air Conditioning Products, Inc.

Model Plan Views



IMPORTANT NOTE: If the cabinet is located directly against a wall and/or under a low ceiling, a minimum clearance of 12" is required on top and 3" on sides and rear.