

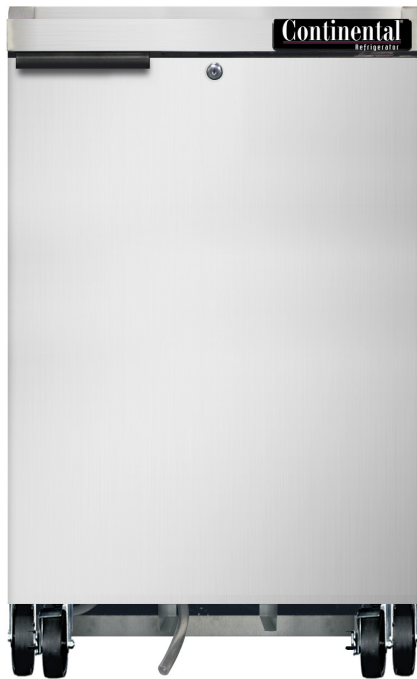
BACK BAR EQUIPMENT

Model: BB24NSS

Natural Refrigerant R-290 Model

24" Back Bar Cooler

Stainless steel exterior, countertop and interior back with reinforced stainless steel floor.



Options and Accessories

(upcharge and lead times may apply)

Add'l epoxy-coated shelves	Food storage rated stainless steel interior (NSF-7)
Stainless steel shelves	

Consult factory for other model configurations, options and accessories.

Project Name:

Model Specified:

Location:

Item No:

Quantity:

AIA #:

SIS #:

Standard Model Features

REFRIGERATION SYSTEM

Performance-rated refrigeration system

Natural, environmentally-safe, high-efficiency R-290 refrigerant¹

Automatic, hot gas condensate evaporator

Extra large, balanced evaporator coil

CABINET ARCHITECTURE

High density, non-CFC polyurethane foamed-in-place insulation

Rear and side venting louvered panels

Magnetic snap-in door gasket

Cylinder-keyed security lock

Stainless steel reinforced threshold

5" high casters (can not be changed, footing installed)

MODEL FEATURES

Electronic controller w/digital display & hi-low alarm

Easily accessible and serviceable condensing unit

¹ R-290 refrigerant meets all federal and state regulatory requirements.

Continental[®]
Refrigerator

Toll-Free: 800-523-7138
Phone: 215-244-1400
Fax: 215-244-9579

539 Dunksferry Road
Bensalem, PA 19020
www.continentalrefrigerator.com

APPROVAL:

Model Specifications

DIMENSIONAL DATA

Net Capacity (cu. ft.)	8 (226 cu l)
Width, Overall (in.)	24 1/8 (613 mm)
Depth, Overall (in.) (incl. handle & condenser)	31 7/16 (798 mm)
Height, Overall (in.)	38 13/16 (986 mm)
Capacity: # Barrel Kegs	1
Capacity: # Straight Wall Kegs	1
Capacity : # 1/6 Size Kegs	3
No. of Doors	1
No. of Shelves	2

REFRIGERANT DATA

Condensing Unit Size (H.P.)	1/5
Capacity (BTU/Hr)*	1620

ELECTRICAL DATA

Voltage (int'l)	115/60/1 (220/50/1)
Feed Wires (incl. ground)	3
Total Amps (int'l)	2.5 (2.7)
10 ft. Cord/Plug [attached] (int'l)	Yes (No)

SHIPPING DATA

Weight (lbs.)	220 (100 kg)
Height - Crated (in.)	43 1/4 (1099 mm)
Width - Crated (in.)	35 3/4 (908 mm)
Depth - Crated (in.)	37 1/4 (946 mm)

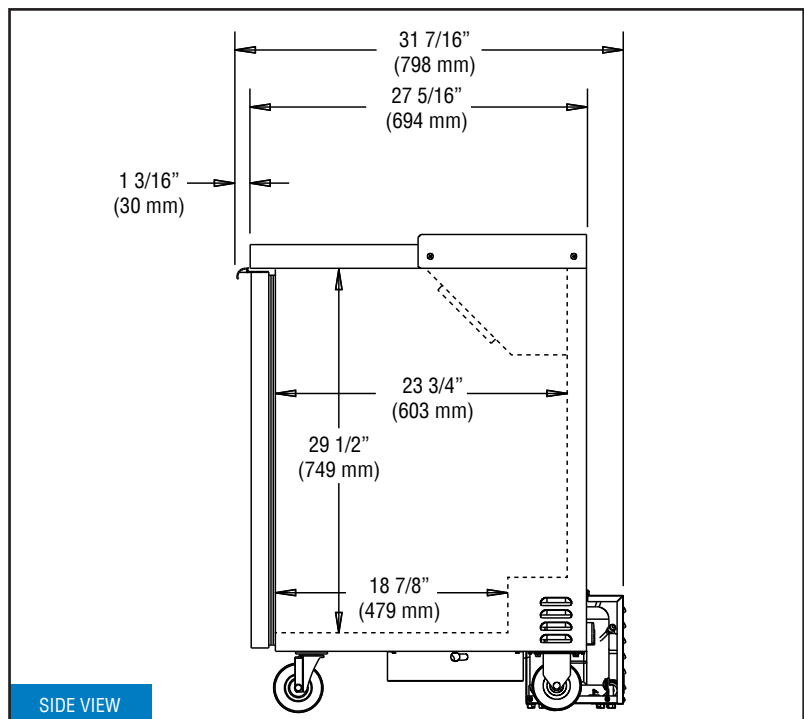
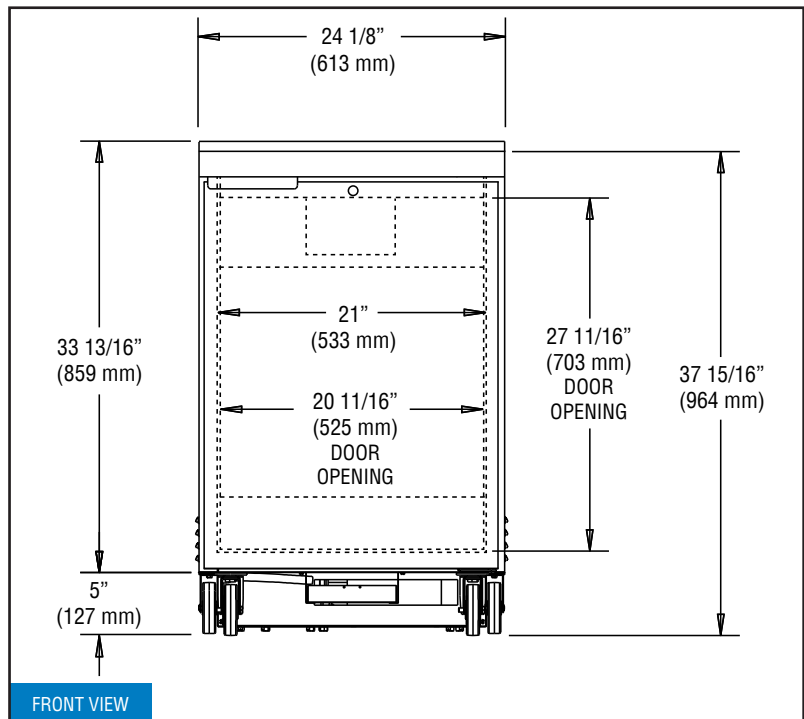
* Rating @ +25°F evaporator, 90°F ambient

Figures in parentheses reflect metric equivalents rounded to the nearest whole unit.



Equipped with one NEMA-5-15P Plug
(varies by country)

Model Plan Views



IMPORTANT NOTE: If the cabinet is located directly against a wall, a minimum clearance of 3" is required on sides, front and rear.

Continental
Refrigerator

Toll-Free: 800-523-7138
Phone: 215-244-1400
Fax: 215-244-9579

539 Dunkserry Road
Bensalem, PA 19020
www.continentalrefrigerator.com

Due to our continued efforts in developing innovative products, specifications subject to change without notice.



Intertek



MADE IN THE U.S.A.

© Copyright 2019, Continental Refrigerator.
A Division of National Refrigeration & Air Conditioning Products, Inc.