

REACH-IN REFRIGERATOR

Model: 1RXNHD

Natural Refrigerant R-290 Model

1-Section Extra-Wide Reach-In Refrigerator with Half Doors



ENERGY STAR® Qualified Commercial Refrigerator

- 1RXNHD** - Stainless steel front, aluminum end panels and interior
- 1RXNSAHD** - Stainless steel exterior, aluminum interior
- 1RXNSSHD** - Stainless steel exterior and interior



Options and Accessories

(upcharge and lead times may apply)

Stainless steel case back	Shallow depth
Add'l epoxy-coated steel shelves	Hinged glass doors
Chrome or stainless steel shelves	Special electrical req. (consult factory)
Rehinging of doors (consult factory)	Correctional Facility Options
Wine rack	<ul style="list-style-type: none"> • One way security screws
Adjustable legs	<ul style="list-style-type: none"> • Locking hasp (lock not included)
Custom laminates	<ul style="list-style-type: none"> • Stainless steel mesh cover
Full door	<ul style="list-style-type: none"> • Coverless hinges

Consult factory for other model configurations, options and accessories.

Continental
Refrigerator

Toll-Free: 800-523-7138
Phone: 215-244-1400
Fax: 215-244-9579

539 Dunksferry Road
Bensalem, PA 19020
www.continentalrefrigerator.com

Project Name:

Model Specified:

Location:

Item No:

Quantity:

AIA #:

SIS #:

Standard Model Features

REFRIGERATION SYSTEM

- Self contained, performance-rated refrigeration system
- Natural, environmentally-safe, high-efficiency R-290 refrigerant¹
- Automatic, electric condensate evaporator
- Expansion valve system

CABINET ARCHITECTURE

- 3" non-CFC polyurethane foam insulation
- Smooth, polished chrome workflow door handles
- Cam action, lift off hinges
- Self-closing doors
- Magnetic snap-in door gaskets
- Cylinder lock in each door
- Heavy-duty, epoxy-coated steel shelves
- 5" casters

MODEL FEATURES

- LED interior lighting
- Electronic controller w/digital display & hi-low alarm

¹ R-290 refrigerant meets all federal and state regulatory requirements.

APPROVAL:

Model Specifications

DIMENSIONAL DATA

Net Capacity (cu. ft.)	30 (850 cu l)
Width, Overall (in.)	36 1/4 (921 mm)
Depth, Overall (in.) (incl. handles)	35 3/8 (899 mm)
Depth (in.) (less doors)	32 (813 mm)
Depth (in.) (doors open 90°)	66 (1676 mm)
Clear Door Width (in.)	29 5/8 (752 mm)
Clear Half Door Height (in.)	27 1/2 (699 mm)
Height, Overall (in.) (incl. 5" casters)	82 1/4 (2096 mm)
No. of Doors	2
No. of Shelves	3
Shelf Area (sq. ft.)	24.4 (2.3 sq m)

REFRIGERANT DATA

Condensing Unit Size (H.P.)	1/3+
Capacity (BTU/Hr)*	2190

ELECTRICAL DATA

Voltage (int'l)	115/60/1 (220/50/1)
Feed Wires (incl. ground)	3
Total Amps (int'l)	6.6 (3.6)
10 ft. Cord/Plug [attached] (int'l)	Yes (No)

SHIPPING DATA

Height - Crated (in.)	85 1/2 (2172 mm)
Width - Crated (in.)	42 (1067 mm)
Depth - Crated (in.)	42 (1067 mm)
Volume - Crated (cu. ft.)	87 (2464 cu l)
Weight Std - Crated (lbs.)	430 (195 kg)
Weight SS - Crated (lbs.)	490 (222 kg)

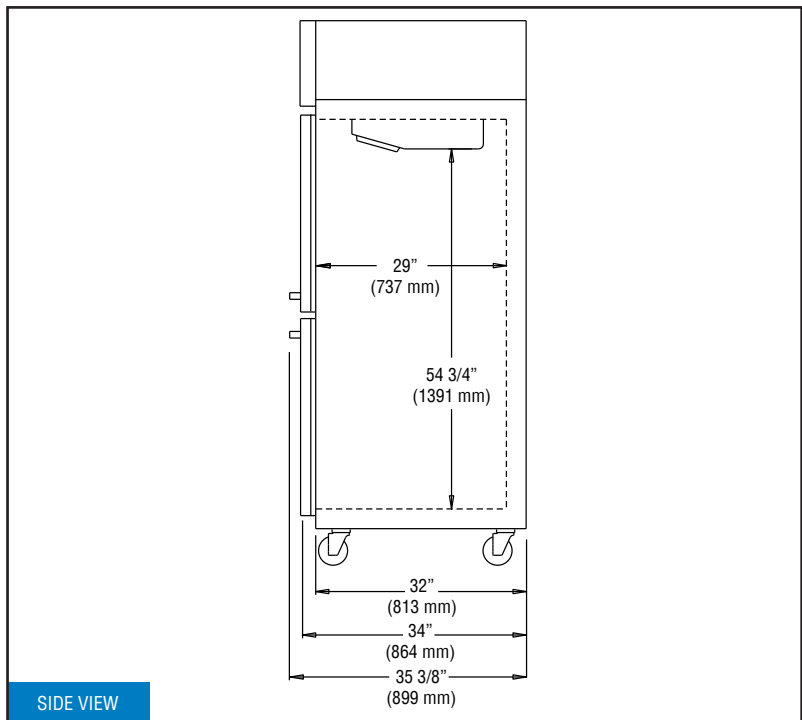
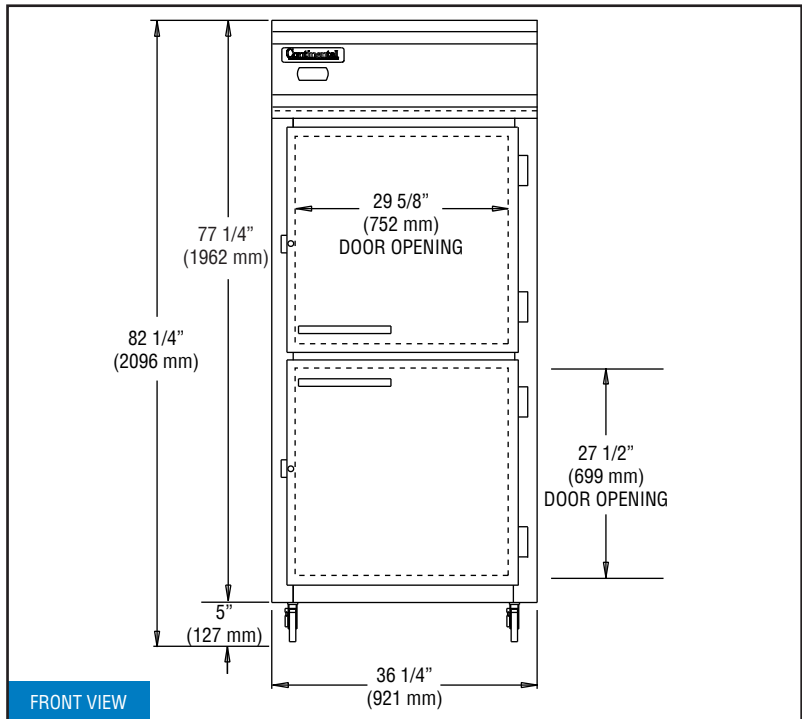
* Rating @ +25°F evaporator, 90°F ambient

Figures in parentheses reflect metric equivalents rounded to the nearest whole unit.



Equipped with one NEMA-5-15P Plug
(varies by country)

Model Plan Views



IMPORTANT NOTE: If the cabinet is located directly against a wall and/or under a low ceiling, a minimum clearance of 12" is required on top and 3" on sides and rear.

Continental
Refrigerator

Toll-Free: 800-523-7138
Phone: 215-244-1400
Fax: 215-244-9579

539 Dunkerry Road
Bensalem, PA 19020
www.continentalrefrigerator.com

Due to our continued efforts in developing innovative products, specifications subject to change without notice.



MADE IN THE U.S.A.

© Copyright 2019, Continental Refrigerator.
A Division of National Refrigeration & Air Conditioning Products, Inc.