

# REACH-IN FREEZER (0°F)

**Model: DL1FE**

*Designer-line*

## 1-Section Extra-Wide Reach-In Freezer

**DL1FE** - Stainless steel front, aluminum end panels and interior  
**DL1FE-SA** - Stainless steel exterior, aluminum interior  
**DL1FE-SS** - Stainless steel exterior and interior



### Options and Accessories

(upcharge and lead times may apply)

Stainless steel case back	Special electrical req. (consult factory)
Add'l epoxy-coated steel shelves	<b>Correctional Facility Options</b>
Chrome or stainless steel shelves	<ul style="list-style-type: none"> <li>One way security screws</li> </ul>
Pan slide assemblies	<ul style="list-style-type: none"> <li>Locking hasp (lock not included)</li> </ul>
Expansion valve system	<ul style="list-style-type: none"> <li>Stainless steel mesh cover</li> </ul>
Casters	<ul style="list-style-type: none"> <li>Coverless hinges</li> </ul>
Custom laminates	

Consult factory for other model configurations, options and accessories.

**Continental**  
 Refrigerator

Toll-Free: 800-523-7138  
 Phone: 215-244-1400  
 Fax: 215-244-9579

539 Dunksferry Road  
 Bensalem, PA 19020  
[www.continentalrefrigerator.com](http://www.continentalrefrigerator.com)

Project Name:

Model Specified:

Location:

Item No:

Quantity:

AIA #:

SIS #:

### Standard Model Features

#### REFRIGERATION SYSTEM

Self contained, performance-rated "plug" refrigeration system  
 Environmentally-safe, R-404A refrigerant  
 Refrigeration system is readily accessible on top of cabinet, separate from the "food zone"  
 Automatic, hot gas condensate evaporator

#### CABINET ARCHITECTURE

3" non-CFC polyurethane foam insulation  
 Smooth, polished chrome workflow door handle  
 Cam action, lift off hinges  
 Self-closing door  
 Magnetic snap-in door gasket  
 Cylinder lock in door  
 Heavy-duty, epoxy-coated steel shelves  
 Adjustable 6" stainless steel legs

#### MODEL FEATURES

LED interior lighting  
 Electronic controller w/digital display & hi-low alarm  
 Top and side air distribution ducts  
 Cabinet upper side panels and refrigeration "plug" system can be removed and reinstalled at job site  
 Automatic electric defrost  
 Rehinging of door (in the field)

APPROVAL:

## Model Specifications

### DIMENSIONAL DATA

Net Capacity (cu. ft.)	22 (623 cu l)
Width, Overall (in.)	28 1/2 (724 mm)
Depth, Overall (in.) (incl. handle)	35 3/8 (899 mm)
Depth (in.) (less door)	32 (813 mm)
Depth (in.) (door open 90°)	58 (1473 mm)
Clear Door Width (in.)	21 7/8 (556 mm)
Clear Door Height (in.)	58 5/8 (1489 mm)
Height, Overall (in.) (incl. 6" legs)	83 1/4 (2115 mm)
No. of Doors	1
No. of Shelves	3
Shelf Area (sq. ft.)	20.4 (1.9 sq m)
Tray Slide Capacity	24

### REFRIGERANT DATA

Condensing Unit Size (H.P.)	1/3
Capacity (BTU/Hr)*	1590

### ELECTRICAL DATA

Voltage (int'l)	115/60/1 (220/50/1)
Feed Wires (incl. ground)	3
Total Amps (int'l)	6.3 (3.8)
Defrost Amps (int'l)	4.3 (2.2)
10 ft. Cord/Plug [attached] (int'l)	Yes (No)

### SHIPPING DATA

Height - Crated (in.)	85 1/2 (2172 mm)
Width - Crated (in.)	31 5/8 (803 mm)
Depth - Crated (in.)	42 (1067 mm)
Volume - Crated (cu. ft.)	65 (1841 cu l)
Weight Std - Crated (lbs.)	355 (161 kg)
Weight SS - Crated (lbs.)	415 (188 kg)

\* Rating @ -15°F evaporator, 90°F ambient

Figures in parentheses reflect metric equivalents rounded to the nearest whole unit.



Equipped with one NEMA-5-15P Plug  
(varies by country)

**Continental**  
Refrigerator

Toll-Free: 800-523-7138  
Phone: 215-244-1400  
Fax: 215-244-9579

539 Dunksferry Road  
Bensalem, PA 19020  
[www.continentalrefrigerator.com](http://www.continentalrefrigerator.com)

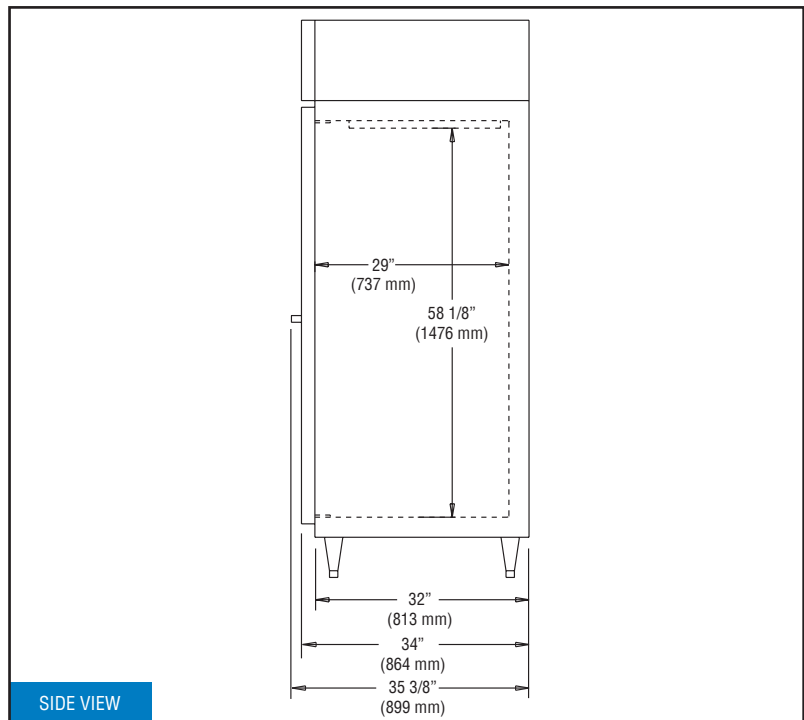
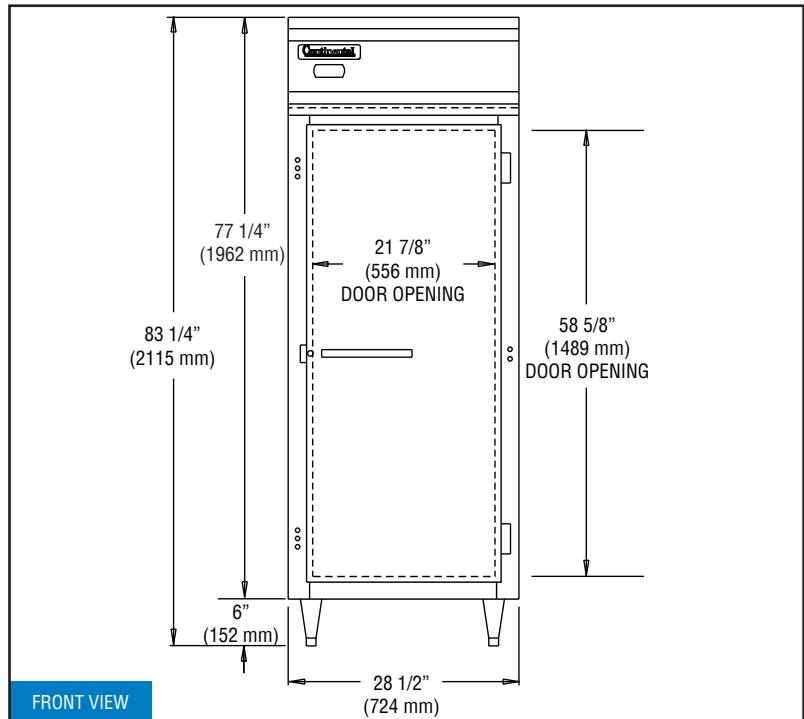
Due to our continued efforts in developing innovative products, specifications subject to change without notice.



MADE IN THE U.S.A.

© Copyright 2020. Continental Refrigerator.  
A Division of National Refrigeration & Air Conditioning Products, Inc.

## Model Plan Views



**IMPORTANT NOTE:** If the cabinet is located directly against a wall and/or under a low ceiling, a minimum clearance of 12" is required on top and 3" on sides and rear.