

# REACH-IN FREEZER (0°F)

**Model: DL1FX-HD**

*Designer line*

## 1-Section Extra-Wide Reach-In Freezer with Half Doors

**DL1FX-HD** - Stainless steel front, aluminum end panels and interior  
**DL1FX-SA-HD** - Stainless steel exterior, aluminum interior  
**DL1FX-SS-HD** - Stainless steel exterior and interior



### Options and Accessories

(upcharge and lead times may apply)

Stainless steel case back	Special electrical req. (consult factory)
Add'l epoxy-coated steel shelves	<b>Correctional Facility Options</b>
Chrome or stainless steel shelves	<ul style="list-style-type: none"> <li>One way security screws</li> </ul>
Rehinging of doors (consult factory)	<ul style="list-style-type: none"> <li>Locking hasp (lock not included)</li> </ul>
Expansion valve system	<ul style="list-style-type: none"> <li>Stainless steel mesh cover</li> </ul>
Casters	<ul style="list-style-type: none"> <li>Coverless hinges</li> </ul>
Custom laminates	

Consult factory for other model configurations, options and accessories.

Project Name:

Model Specified:

Location:

Item No:

Quantity:

AIA #:

SIS #:

### Standard Model Features

#### REFRIGERATION SYSTEM

Self contained, performance-rated "plug" refrigeration system  
 Environmentally-safe, R-404A refrigerant  
 Refrigeration system is readily accessible on top of cabinet, separate from the "food zone"  
 Automatic, hot gas condensate evaporator

#### CABINET ARCHITECTURE

3" non-CFC polyurethane foam insulation  
 Smooth, polished chrome workflow door handles  
 Cam action, lift off hinges  
 Self-closing doors  
 Magnetic snap-in door gaskets  
 Cylinder lock in each door  
 Heavy-duty, epoxy-coated steel shelves  
 Adjustable 6" stainless steel legs

#### MODEL FEATURES

LED interior lighting  
 Electronic controller w/digital display & hi-low alarm  
 Top and side air distribution ducts  
 Cabinet upper side panels and refrigeration "plug" system can be removed and reinstalled at job site  
 Automatic electric defrost

**Continental**  
 Refrigerator

Toll-Free: 800-523-7138  
 Phone: 215-244-1400  
 Fax: 215-244-9579

539 Dunksferry Road  
 Bensalem, PA 19020  
[www.continentalrefrigerator.com](http://www.continentalrefrigerator.com)

APPROVAL:

## Model Specifications

### DIMENSIONAL DATA

Net Capacity (cu. ft.)	32 (906 cu l)
Width, Overall (in.)	36 1/4 (921 mm)
Depth, Overall (in.) (incl. handles)	35 3/8 (899 mm)
Depth (in.) (less doors)	32 (813 mm)
Depth (in.) (doors open 90°)	66 (1676 mm)
Clear Door Width (in.)	29 5/8 (752 mm)
Clear Half Door Height (in.)	27 1/2 (699 mm)
Height, Overall (in.) (incl. 6" legs)	83 1/4 (2115 mm)
No. of Doors	2
No. of Shelves	3
Shelf Area (sq. ft.)	24.4 (2.3 sq m)

### REFRIGERANT DATA

Condensing Unit Size (H.P.)	1/2
Capacity (BTU/Hr)*	1840

### ELECTRICAL DATA

Voltage (int'l)	115/60/1 (220/50/1)
Feed Wires (incl. ground)	3
Total Amps (int'l)	12.5 (10.6)
Defrost Amps (int'l)	9.6 (4.8)
10 ft. Cord/Plug [attached] (int'l)	Yes (No)

### SHIPPING DATA

Height - Crated (in.)	85 1/2 (2172 mm)
Width - Crated (in.)	42 (1067 mm)
Depth - Crated (in.)	42 (1067 mm)
Volume - Crated (cu. ft.)	87 (2464 cu l)
Weight Std - Crated (lbs.)	455 (206 kg)
Weight SS - Crated (lbs.)	515 (234 kg)

\* Rating @ -15°F evaporator, 90°F ambient

Figures in parentheses reflect metric equivalents rounded to the nearest whole unit.



Equipped with one NEMA-5-15P Plug  
(varies by country)

**Continental**  
Refrigerator

Toll-Free: 800-523-7138  
Phone: 215-244-1400  
Fax: 215-244-9579

539 Dunkserry Road  
Bensalem, PA 19020  
[www.continentalrefrigerator.com](http://www.continentalrefrigerator.com)

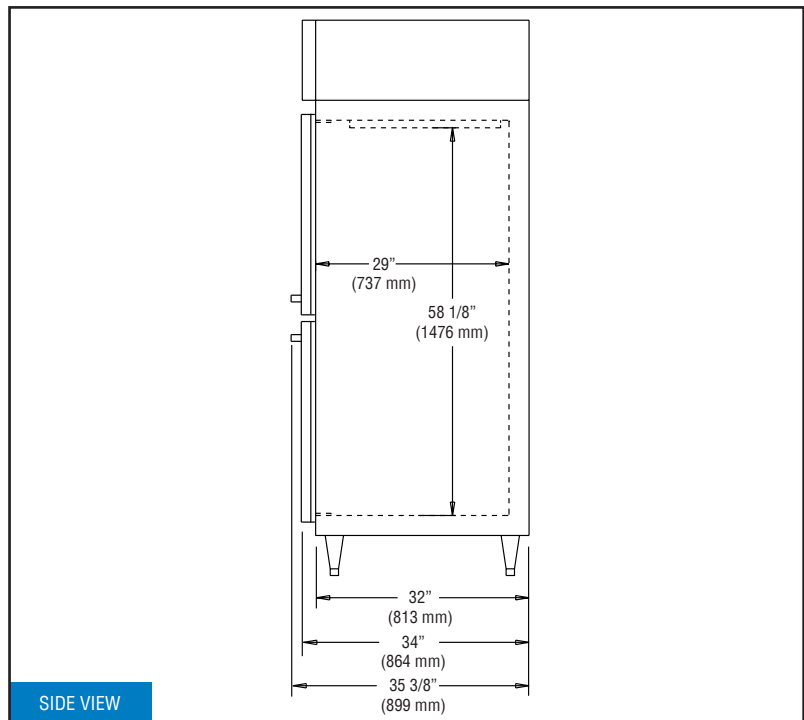
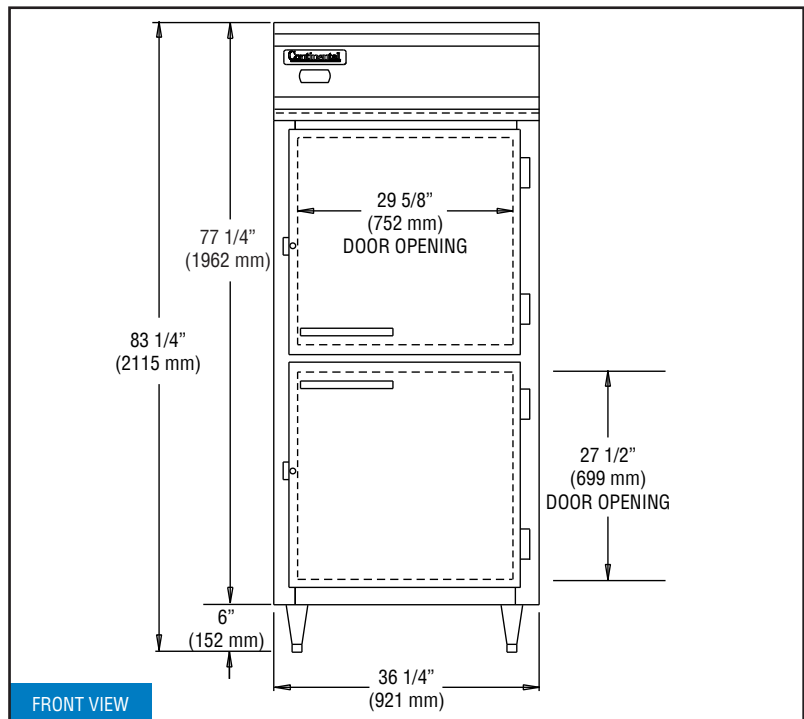
Due to our continued efforts in developing innovative products, specifications subject to change without notice.



MADE IN THE U.S.A.

© Copyright 2020. Continental Refrigerator.  
A Division of National Refrigeration & Air Conditioning Products, Inc.

## Model Plan Views



**IMPORTANT NOTE:** If the cabinet is located directly against a wall and/or under a low ceiling, a minimum clearance of 12" is required on top and 3" on sides and rear.