

MB MASTER-BILT® FUSION™ SERIES

ITEM NO. _____
 PROJECT _____
 LOCATION _____
 DATE _____ QTY. _____



MBR/MBF49-S



MBR/MBF SERIES Bottom Mounted Solid Door Reach-Ins

REFRIGERATORS

- MBR23-S
- MBR49-S
- MBR72-S

FREEZERS

- MBF23-S
- MBF49-S
- MBF72-S

FEATURES

STANDARD ELECTRONIC CONTROL

- Digitally displays inside temperature
- Temperature display easily adjustable from °F to °C
- Allows user to monitor and adjust temperature set point within normal temperature range
- Visual and audible door open alarm
- Clean condenser alarm (displays "CL" every 6 months)
- Decreases service time and calls

CONSTRUCTION

- Curved corner design creates a stylish appearance and reduces chances of injury in slip-and-fall accidents
- Stainless steel exterior on front, sides and doors
- Exterior top, bottom and back are galvanized steel
- Interior liner and door panel are stainless steel
- Foamed-in-place with low ODP polyurethane insulation
- Wall thickness:
 - Sides 1⁷/₈"
 - Top and back.....2"
 - Bottom 2³/₈"

- 4" diameter casters
- Four casters on one- and two-door models and six on three-door models (two casters on each model are locking type)
- Four adjustable heavy-duty shelves per door

DOORS

- Heavy-duty pull handles
- Self-closing at 96°
- Hold open feature at 110°
- Individual door locks
- Self-adjusting magnetic gaskets
- Interior compact fluorescent light activated by switch for each door
- Anti-condensate heater wires on door openings
- Standard door swing configuration:
 - MBR/MBF23-S hinged right
 - MBR/MBF49-S left door hinged left, right door hinged right
 - MBR/MBF72-S left door hinged left, middle door hinged right, right door hinged right
- Field reversible doors on single door models (requires left hand hinging kit)
- Door width:
 - MBR/MBF23-S 27¹/₄"
 - MBR/MBF49-S 25¹/₂"
 - MBR/MBF72-S 25¹/₂"

REFRIGERATION

- Self-contained bottom mount refrigeration system
- Capillary tube controls refrigerant flow
- Automatic defrost
- Fabric condensation kit uses wicks to draw condensate from the drain pan for faster removal
- Refrigerant: R290
- Operating temperature range:
 - Refrigerators.....34° to 38°F (1° to 3° C)
 - Freezers -5° to 0°F (-21° to -18°C)

WARRANTY

- **Standard limited three year parts and labor**
- **Additional two year coverage on compressor part**

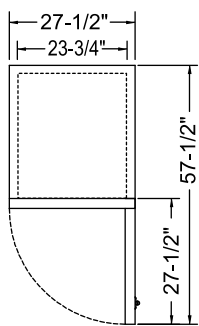
OPTIONS

- Extra wire shelves
- 6" adjustable feet
- Left hand hinging kit (one-door models only)
- Pan rack

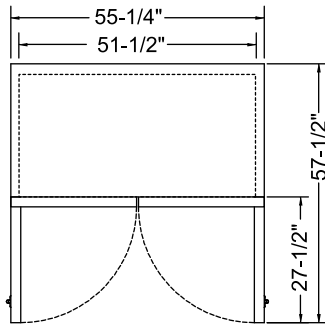
TECHNICAL SPECIFICATIONS

MODEL	DIMENSIONS (in.)			DIMENSIONS (mm)			VOLTS	AMPS	UNIT H.P.	NO. OF DOORS	NO. OF SHELVES	STANDARD SHELF SIZE (in inches)	CAP. CU. FT.	SHIP CU. FT.	SHIP WT. (LB/KG)
	L	D*	H*	L	D*	H*									
REFRIGERATORS															
MBR23-S	27 ¹ / ₂	33	83 ³ / ₄	699	838	2127	115	7.5	3/8	1	4	22 ⁷ / ₁₆ X 22 ⁹ / ₁₆	23.0	53.0	313/142
MBR49-S	55 ¹ / ₄	33	83 ³ / ₄	1403	838	2127	115	7.5	3/8	2	8	22 ⁷ / ₁₆ X 22 ⁵ / ₈	49.0	101.0	474/215
MBR72-S	78	33	83 ³ / ₄	1981	838	2127	115	7.5	3/8	3	12	**	72.0	140.0	637/289
FREEZERS															
MBF23-S	27 ¹ / ₂	33	83 ³ / ₄	699	838	2127	115	8.0	3/5	1	4	22 ⁷ / ₁₆ X 22 ⁹ / ₁₆	23.0	53.0	322/146
MBF49-S	55 ¹ / ₄	33	83 ³ / ₄	1403	838	2127	115	10.5	3/4	2	8	22 ⁷ / ₁₆ X 22 ⁵ / ₈	49.0	101.0	498/226
MBF72-S	78	33	83 ³ / ₄	1981	838	2127	115	14.0	1	3	12	**	72.0	140.0	672/305

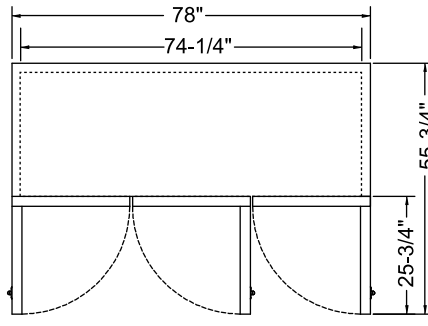
*Depth includes door handle, height includes casters. **LH & RH shelf for 3 door models is 22⁷/₁₆" x 22⁹/₁₆", center shelf is 22⁷/₁₆" x 25¹/₄".



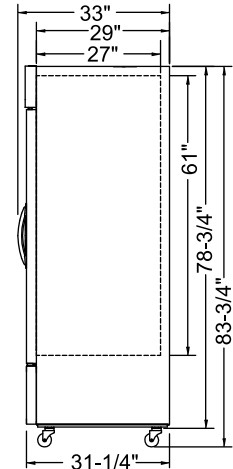
MBR/MBF23-S
PLAN VIEW



MBR/MBF49-S
PLAN VIEW



MBR/MBF72-S
PLAN VIEW



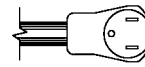
SIDE VIEW

LISTINGS

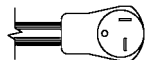


HOOKUP

Via plug in, 9.8 foot long flexible three wire 14/3 cord with molded plug.



NEMA 5-15P (all models except MBF72-S)



NEMA 5-20P (MBF72-S)

BID SPECIFICATIONS

Item no. MBR/MBF _____-S. Provide _____ Bottom Mounted Solid Door Reach-in(s), Master-Bilt® model no. MBR/MBF _____-S.

Reach-in will feature rounded corner construction with stainless steel interior and exterior. Top, bottom and back will be galvanized steel. Reach-in will also be equipped with an electronically controlled

monitoring system with door alarm function.

The refrigeration system will be bottom mounted and self-contained. All models will use R290 refrigerant. The operating temperature range will be 34° to 38°F (1° to 3° C) for refrigerators and -5° to 0°F (-21° to -18°C) for freezers.

Reach-in to have standard limited three

year parts and labor with additional two year coverage on compressor part.

Reach-in to be ENERGY STAR® qualified & UL, C-UL and ETL Sanitation listed.

NOTE: Cabinet designed for optimum performance in air-conditioned area at 75°F ambient and 55% relative humidity. All specifications subject to change without notice.