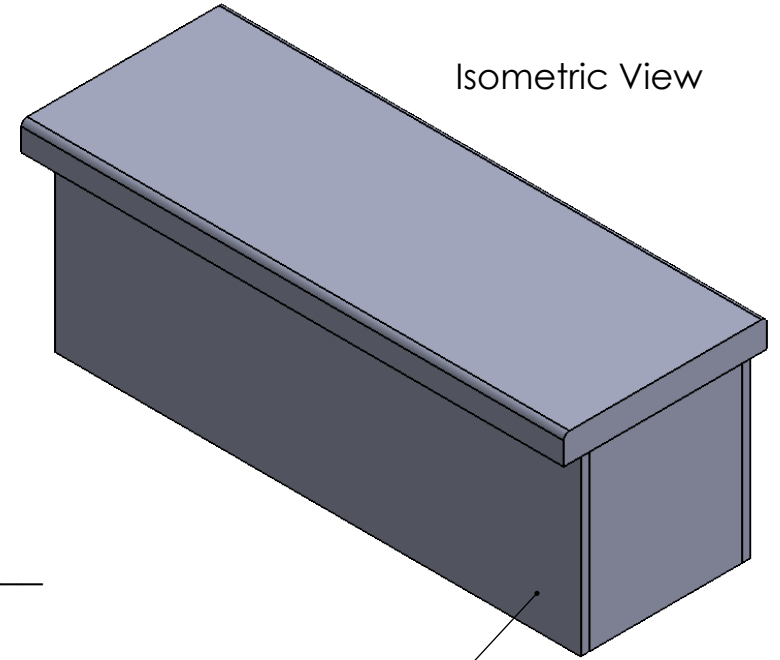


Customer/PO # _____
Project Name/Location _____
Oak Street SO #/Sales staff _____

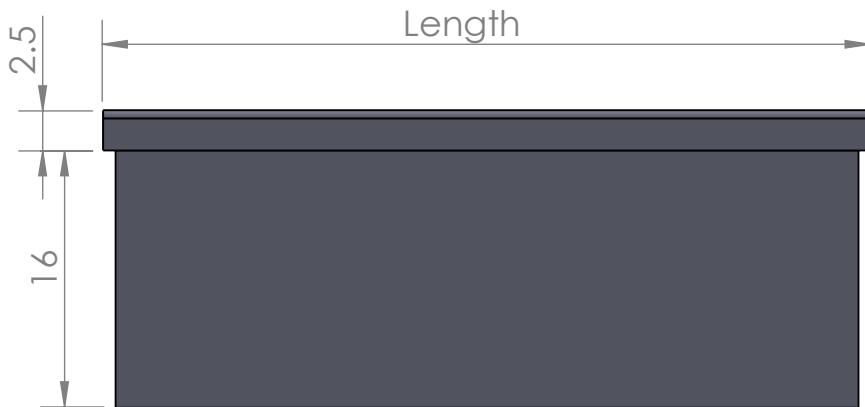
Booth options:

Vinyl on seat _____
Finish on base - Engineered Oak _____ Laminate _____
Stain choice if oak base _____
Laminate choice on base _____
Length of bench _____ Quantity _____
Length of bench _____ Quantity _____
Custom notes: _____

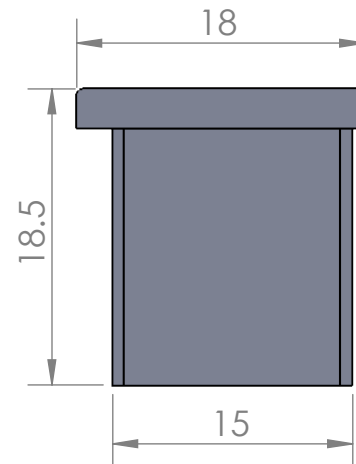
Customer sign-off/Date _____



Laminate or engineered oak
face options available



Front View



Right Side View

Oak Street Manufacturing
Monticello, Iowa
Wyoming Series Bench